

HA10VSO/31 系列变量柱塞泵

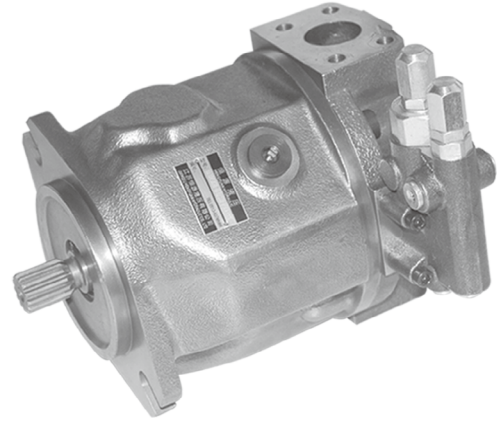
Variable Displacement Pump HA10VSO/31

规格 Size 18~140 系列 series 31

额定压力 Nominal pressure 280Bar

峰值压力 Peak pressure 350Bar

斜盘式轴向柱塞泵 Swash plate design axial variable piston pump



目 录 Contents

一、型号说明 Ordering Code	22-23	五、主要参数 Parameter	25
二、结构图 Construction	24	六、安装注意事项 Installation Notes	26-27
三、油液 Hydraulic Fluid	24	七、控制方式 Controller	28
四、机械排量限制器 Mechanical Displacement Limiter	25	八、安装连接尺寸 Mounting Dimension	29-42
		九、通轴 Through Drive	43-50

特 点 Features

1、用于开式回路的斜盘式轴向柱塞泵。

Swash plate design axial variable piston pump used in open circuit.
2、连续工作压力可达 280bar，瞬时最高工作压力可达 350bar。

Continuous working pressure can reach 280bar, the highest instantaneous working pressure can reach 350bar.

3、流量正比于驱动转速和排量，并可通过调节斜盘倾角实现无级变量。

The flow is directly proportional to the drive rotate speed and the displacement, and can make stepless variable come true by adjusting the obliquity of the swash plate.

4、有恒压、恒功率恒压、恒压恒流量等多种控制方式，且控制响应速度快。

Wide range of controls such as DR, DFR, DFLR etc. Short response times.

5、低噪音、高效率、高可靠性、长寿命。

Low noise level, high efficiency, high reliability and long service life.

6、体积小、功率密度高。

Small volume, High power density.

7、优良的吸油性能。

Excellent oil absorbency.

8、驱动轴能承受轴向和径向负载。

Axial and radial loading of drive shaft possible.

9、SAE 及 ISO 安装法兰。

SAE and ISO mounting flange.

10、可供通轴结构，用于多回路系统。

Thru drive option for multi-circuit system.

一、 型号说明 Ordering Code

HA10V(S) O 28 DR / 31 R - P S C 62 N00

泵型号：变量泵；斜盘式结构

Model Variable pump,Swashplate design

额定压力 280bar

Rated pressure 280bar

峰值压力 350bar

Peak pressure 350bar

运行模式：泵，开式回路

Mode of operation: Pump,Circuit

规格排量：18、28、45、71、100、140(ml/r)

Displacement 18.28.45.71.100.140(ml/r)

控制方式：

Controller 18 28 45 71 100 140

DG-- 两位控制 Two point,direct control						
DR-- 恒压控制 Pressure control	√	√	√	√	√	√
DRG-- 远程恒压控制 Remote pressure control	√	√	√	√	√	√
DFR-- 压力 / 流量控制 Pressure and flow control	√	√	√	√	√	√
DFR1-- 压力 / 流量控制, X 口关闭 Pressure and flow control Orifice in X-channel closed	√	√	√	√	√	√
DFLR-- 压力 / 流量 / 功率控制 Pressure,flow,torque control		√	√	√	√	√

产品系列：31 系列；

Series 31 Series

转向（从轴端看）：R-- 顺时针 Clockwise

Direction of Rotation L-- 逆时针 Anti-clockwise

密封件：P-- 丁腈橡胶 Perbunan

Seals V 氟橡胶 Viton

油口型式：

Port for service lines 18 28 45 71 100 140

11-- 后面 SAE, 公制螺纹 SAE flange rear, fixing thread metric		√	√	√	√	
61SAE,UNC SAE flange rear, fixing thread UNC		√	√	√	√	
12-- 两侧 SAE, 公制螺纹 SAE flange on opposite side,fixing thread metric	√	√	√	√	√	√
62SAEUNC SAE flange on opposite side,fixing thread UNC	√	√	√	√	√	√
41(91)-- 后面 SAE, 公制 (UNC) 螺纹 SAE flange rear, fixing thread metric(UNC)				√		
42(92)-- 两侧 SAE, 公制 (UNC) 螺纹 SAE flange on opposite side,fixing thread metric(UNC)				√		

安装法兰：

Mounting flange 18 28 45 71 100 140

A--ISO 两孔 ISO 2-hole	√	√	√	√	√	
C--SAE 两孔 SAE 2-hole	√	√	√	√	√	
B--ISO 四孔 ISO 4-hole						√
D--SAE 四孔 SAE 4-hole						√

轴端型式：

Shaft end 18 28 45 71 100 140

P-- 公制平键 Metric parallel with key	√	√	√	√	√	√
S--SAE 花键 SAE splined	√	√	√	√	√	√
R--SAE 花键 (较高通轴驱动扭矩) SAE splined (higher through drive torque)	√	√	√	√		
K--SAE 平键 SAE parallel with key	√	√	√	√	√	√
U--SAE 小花键 SAE splined,reduced dia. not for through drive	√		√		√	
W--SAE 小花键 (较高不通轴驱动扭矩) Similar to shaft "U", higher input torque, not for through drive			√		√	

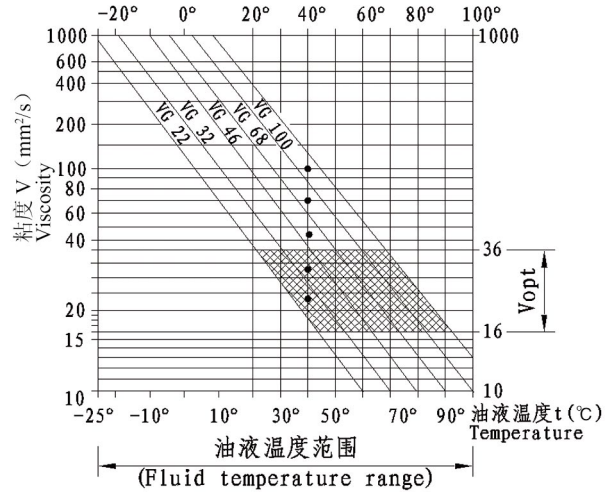
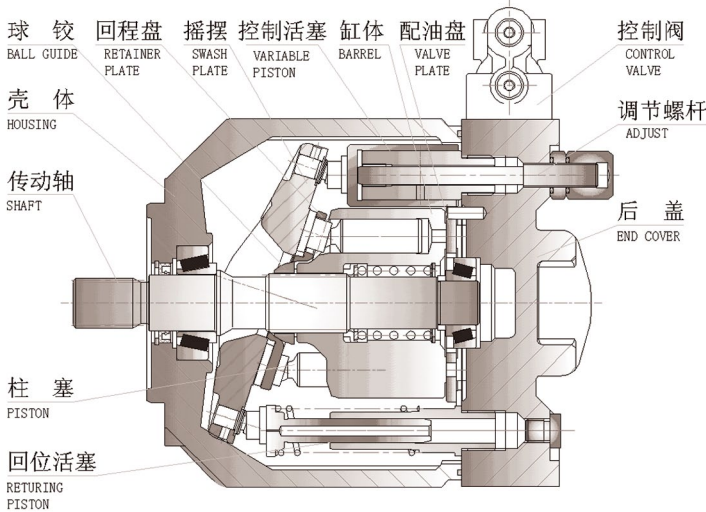
通轴型式：

With through drive to accept an axial piston pump or a gear pump

18 28 45 71 100 140

不通轴 Without through drive				√	√	√	√	√	√	N00
安装法兰 Mounting flange	轴 / 轴套 Shaft/coupling		用于安装 For the mounting of							
ISO 80,2 hole	3/4"	19-4(SAE A-B)	HA10VSO10-18(shaft S or R)	√	√	√	√	√	√	KB2
ISO 100,2 hole	7/8"	22-4(SAE B)	HA10VSO28(shaft S or R)		√	√	√	√	√	KB3
ISO 100,2 hole	1"	25-4(SAE B-B)	HA10VSO45(shaft S or R)			√	√	√	√	KB4
ISO 125,2 hole	1 1/4"	32-4(SAE-C)	HA10VSO71(shaft S or R)				√	√	√	KB5
ISO 125,2 hole	1 1/2"	38-4(SAE C-C)	HA10VSO100(shaft S)					√	√	KB6
ISO 180,4 hole	1 3/4"	44-4(SAE D)	HA10VSO140(shaft S)						√	KB7
SAE 82-2,2 hole	5/8"	16-4(SAE A)	HA10VSO10-18(shaft U),1PF2G2,PGF2	√	√	√	√	√	√	K01
SAE 82-2, 2 hole	3/4"	19-4(SAE A-B)	HA10VSO10-18(shaft S or R)	√	√	√	√	√	√	K52
SAE 101-2, 2 hole	7/8"	22-4(SAE B)	1PF2G3		√	√	√	√	√	K02
SAE 101-2, 2 hole	7/8"	22-4(SAE B)	HA10VSO28(shaft S or R),PGF3		√	√	√	√	√	K68
SAE 101-2, 2 hole	1"	25-4(SAE B-B)	HA10VSO45(shaft S or R),PGH4			√	√	√	√	K04
SAE 127-2, 2 hole	1 1/4"	32-4(SAE C)	HA10VSO71(shaft S or R)				√	√	√	K07
SAE 127-2,2 hole	1 1/2"	38-4(SAE C-C)	HA10VSO100(shaft S),PGH5					√	√	K24
SAE 152-4,4 hole	1 3/4"	44-4(SAE D)	HA10VSO140(shaft S)						√	K17
ISO 80-2	带键轴 Φ18			√	√	√	√	√	√	K51
SAE A 82-2	带键轴 Φ19.05			√	√	√	√	√	√	K40
ISO 100-2	带键轴 Φ22				√	√	√	√	√	K25
SAE B 101-2	带键轴 Φ22.225				√	√	√	√	√	K03
ISO 100-2	带键轴 Φ25					√	√	√	√	K26
SAE B 101-2	带键轴 Φ25.4					√	√	√	√	K05
ISO 125-2	带键轴 Φ32						√	√	√	K27
SAE B 127-2	带键轴 Φ31.75						√	√	√	K08
ISO 125-2	带键轴 Φ40							√	√	K37
SAE C 127-2	带键轴 Φ38.1							√	√	K38
ISO 180-4	带键轴 Φ45								√	K59
SAE B 152-4	带键轴 Φ44.45								√	K21

二、结构图 Construction



三、油液 Hydraulic fluid

•适用于矿物油。

The HA10VSO variable displacement pump is suitable for use with mineral oil.

•工作粘度范围 Operating viscosity range

为了得到最佳的效率和寿命，我们推荐把油液的工作粘度（在相应的工作温度下）选择在以下范围内：

In order to obtain optimum efficiency and service life, we recommend that the operating viscosity (at operating temperature) be selected from within the range.

V_{opt} = 最佳工作粘度 opt. operating viscosity

16~36 mm²/s

与油箱温度（开式油路）相关。

Referred to the reservoir temperature (open circuit).

•粘度范围的限制 Viscosity limits

V_{min} = 10 mm²/s 短时间在 90°C 油温的最大泄漏情况下最大粘度 short term at a max. permissible drain of 90°C .

V_{max} = 1000 mm²/s 短时间冷起动时 short term on cold start

•温度范围 Temperature range (see selection diagram): t = -25 ~ 90°C

•选用油液的注意事项 Notes on the selection of the hydraulic fluid.

为了正确地选用液压油，必须知道油箱中油液工作温度（开式回路）和环境温度的关系。In order to select the correct fluid, it is necessary to know the operating temperature in the tank (open loop) in relation to the ambient temperature. 根据选用图表，应确保在油液的工作温度范围内，油液的粘度在最佳粘度范围（ V_{opt} 在阴影范围），并建议在同时可选用的不同等级中尽可能选较高粘度等级。The hydraulic fluid should be selected so that within the operating temperature range, the operating viscosity lies within the optimum range (V_{opt}) (see shaded section of the selection diagram). We recommend that the higher viscosity range should be chosen in each case.

•油液的过滤 Filtration

滤油越精细，工作液体的清洁度越好，则泵的寿命越长。为了保证柱塞泵元件的正常功能，油液的清洁度至少为：NAS 1638.9 级别，ISO/DIS4406 的 18/15 级。

The finer the filtration the better the cleanliness of the pressure fluid and the longer the life of the axial piston unit. To ensure the functioning of the axial piston unit a minimum cleanliness level of: 9 to NAS 1638 18/15 to ISO/DIS 4406 is necessary.

四、机械排量限制器 Mechanical displacement limiter

机械排量限制器仅能用于不通轴的 N00 系列泵，通轴泵则不能用。

Mechanical displacement limiter is possible on the nonthrough-drive model, N00 series but not for the model with through-drive.

$V_{g \max}$: 用于规格 18~140; for sizes 18 to 140

设定范围从 $V_{g \max}$ 到 50% $V_{g \max}$, 无级变化; Setting range $V_{g \max}$ to 50% $V_{g \max}$ stepless

$V_{g \min}$: 用于规格 100、140; for sizes 100 and 140

设定范围从 $V_{g \min}$ 到 50% $V_{g \max}$, 无级变化; Setting range $V_{g \min}$ to 50% $V_{g \max}$ stepless

五、主要参数 Parameter

进油口工作压力范围

Operating pressure range - inlet

进油口 (S 口) 的绝对压力

Absolute pressure at port S

$P_{abs \min}$ -----0.8 bar

$P_{abs \max}$ -----30 bar

出油口工作压力范围

Operating pressure range - outlet

出油口 (B 口) 压力 Pressure at port B

公称压力 Nominal pressure P_N -----280 bar

峰值压力 Peak pressure P_{max} -----350 bar

间隙工作压力 (占 10% 循环周期) -----315 bar

Applications with intermittent operating pressures up to 315 bar at 10% duty are permitted.

壳体泄油压力 Case drain pressure

泄油口 (L, L_1) 最大允许压力: 最高可比进油口压力高 0.5bar, 但不得高于 2bar 的绝对压力。

Maximum permissible pressure of leakage fluid (at port L, L_1): Maximum 0,5 bar higher than the inlet pressure at port S, but no higher than 2 bar absolute pressure.

规格 Sizes			18	28	45	71	100	140		
排量 Displacement	$V_{g \max}$ cm ³		18	28	45	71	100	140		
最高转速 Max speed	n_{max} rpm		3300	3000	2600	2200	2000	1800		
最大流量 Max. flow	在 in n_{max}	q_v	L/min	59.4	84	117	156	200	252	
	在 in 1500 r/min			27	42	68	107	150	210	
最大功率 ($\Delta p=280bar$) Max. power	在 in n_{max}	P_{max}	Kw	27.7	39	55	73	93	118	
	在 in 1500 r/min			12.6	20	32	50	70	98	
最大扭矩 ($\Delta p=280bar$) Max. torque	在 in $V_{g \max}$	T_{max}	Nm	80.1	125	200	316	445	623	
重量 Weight			m	Kg	12	15	21	33	45	60

参数关系: Parameter relations

$$\text{流量 Flow } q_v = \frac{V_g \cdot n \cdot \eta_v}{1000} \quad [L/min]$$

$$\text{驱动转矩 Drive Torque } T = \frac{1.59 \cdot V_g \cdot \Delta p}{100 \cdot \eta_{mh}} = \frac{V_g \cdot \Delta p}{20 \cdot \pi \cdot \eta_{mh}} \quad [Nm]$$

$$\text{驱动功率 Drive Power } P = \frac{T \cdot n}{9549} = \frac{2 \pi \cdot T \cdot n}{60000} = \frac{q_v \cdot \Delta p}{600 \cdot \eta_t} \quad [kw]$$

V_g = 每转几何排量 [cm³] Geometry displacement each rotate

Δp = 压差 [bar] Pressure drop/differential

n = 转速 [rpm] Rotary speed

η_v = 容积效率 Cubage' s efficiency

η_{mh} = 机械-液压效率 Mechanical-Hydraulic efficiency

η_t = 总效率 ($\eta_t = \eta_v \times \eta_{mh}$) Overall efficiency

六、安装注意事项

流量 160L/min 及以上的泵不建议安装在油箱上，以下的泵可安装于油箱上，但要确保油箱盖有足够的刚度。与原动机的输出轴安装精度（同心度、垂直度） $\leq 0.05\text{mm}$ 。在试运行前，泵内必须灌满油液并在工作时保持充满。为了减低噪声，提高系统的可靠性，建议所有油泵尽可能下置于油箱安装。进油管路不允许安装滤网，建议系统采用出油或系统回油管路过滤。

1、垂直安装（轴端向上）

1.1 安装于油箱内

安装前先灌满油液并使其处于水平位置。

a) 当油箱的最低液面高于或等于安装法兰面时，将“L”堵死，而将“L₁”和进油口“S”打开，建议按图 1 配管。

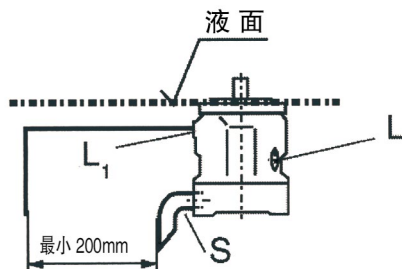


图 1

b) 如果油箱的最低液面低于泵的安装法兰面，则封闭泄油口“L”，泄油口“L₁”及进油口“S”按图 2 配管，并参见 1.2.1 节。

1.2 安装在油箱外面

在安装前泵置于水平位置并灌满油液。如安装于油箱的上方，参见图 2。

1.2.1 在静态和动态情况下泵的最低吸油压力均为 $P_{\text{absmin}}=0.8\text{bar}$

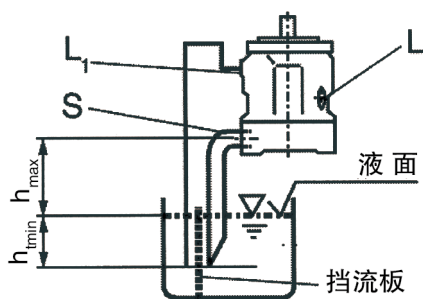


图 2

1.2.2 此种方法安装时最大吸油口高度 $h_{\text{max}}=500\text{mm}$ ；具体视吸油管路的阻力损失而定。阻力损失较大时，吸油高度尽量要小，吸油口的最小浸没深度 $h_{\text{min}}=200\text{mm}$ 。

2、水平安装（轴端水平）

水平安装时应确保泄油口“L”或“L₁”处于顶部。

2.1 安装在油箱内

a) 当油箱的最低液面在泵顶端之上时，把泄油口“L₁”堵住，泄油口“L”、进油口“S”配管参见图 3。

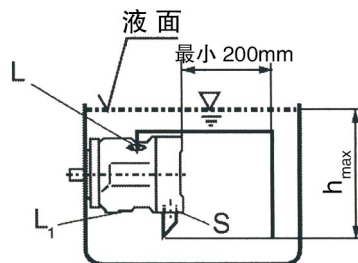


图 3

b) 当油箱的最低液面低于泵的顶部时，将泄油口“L₁”堵住，泄油口“L”、进油口“S”的配管要求参见图 4，注意 $h_{\text{min}}=200\text{mm}$ ， $h_{\text{max}}=500\text{mm}$

2.2 安装在油箱外面

将位于下面的泄油口“L”或“L₁”堵住，将壳体内灌满油。

a) 安装在油箱上，泄油口“L”及进油口“S”配管请参见图 4。

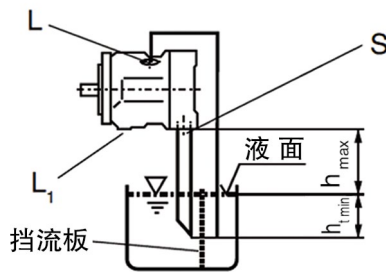


图 4

c) 如安装在油箱下，泄油口“L₁”及进油口“S”配管请参见图 5。

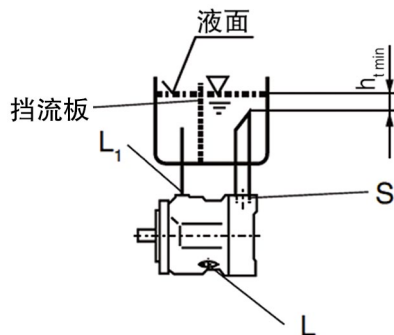


图 5

Installation Notes

Optional installation position. The pump housing must be filled with fluid during commissioning and remain full when operating. In order to attain the lowest noise level, all connections (suction, pressure, case drain ports) must be linked by flexible couplings to tank.

Avoid placing a check valve in the case drain line.

1. Vertical installation (shaft end upwards)

The following installation conditions must be taken into account:

1.1. Arrangement in the reservoir

Before installation fill pump housing, keeping it in a horizontal position.

a) If the minimum fluid level is equal to or above the pump mounting face close port "L" plugged, leave ports "L₁" and "S" open; L₁ piped and recommendation S piped (see Fig. 1).

b) If the minimum fluid level is below the pump mounting face pipe port "L₁" and "S" according to Fig. 2.

Close port "L" with respect taking into consideration

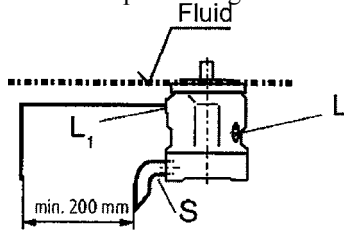


Fig. 1

1.2. Arrangement outside the reservoir

Before installation fill the pump housing, keeping it in a horizontal position. For mounting above reservoir see Fig. 2.

Limiting condition:

1.2.1. Minimum pump inlet pressure $p_{abs\ min} = 0.8$ bar under both static and dynamic conditions.

Note: Avoid mounting above reservoir wherever possible in order to achieve a low noise level.

The permissible suction height h comes from the overall pressure loss, but may not be bigger than $h_{max} = 500$ mm (immersion depth $h_{t\ min} = 200$ mm).

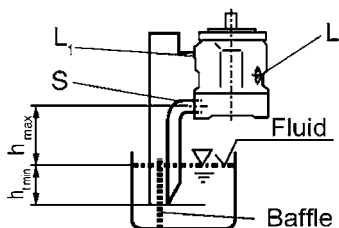


Fig. 2

Overall pressure loss

$$\Delta p_{tot} = \Delta p_1 + \Delta p_2 + \Delta p_3 \leq (1 - P_{abs\ min}) = 0.2 \text{ bar}$$

Δp_1 : Pressure loss in pipe due to accelerating column of fluid

$$\Delta p_1 = \rho \cdot l \cdot (dv/dt) \cdot 10^{-5} \text{ (bar)} \quad \rho = \text{density (kg/m}^3\text{)}$$

$$l = \text{pipe length (m)}$$

dv/dt = rate of change in fluid velocity (m/s²)

Δp_2 = Pressure loss due to static head

$$\Delta p_2 = h \times \rho \times g \times 10^{-5} \text{ (bar)} \quad h = \text{height (m)}$$

$$\rho = \text{density (kg/m}^3\text{)}$$

$$g = \text{gravity} = 9.81 \text{ m/s}^2$$

Δp_3 : Line losses (elbows etc.)

2. Horizontal installation

The pump must be installed, so that "L" or "L₁" is at the top.

2.1. Arrangement in the reservoir

a) If the minimum fluid level is above the top of the pump, port "L₁" closed, "L" and "S" should remain open, L piped and recommendation S piped (see Fig. 3)

b) If the minimum fluid level is equal to or below the top of the pump, pipe ports "L" and possibly "S" as Fig. 4.; close port "L₁". The conditions according to item 1.2.1.

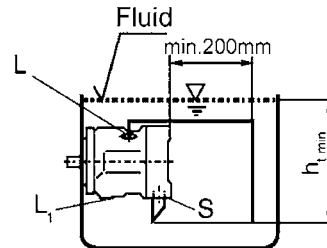


Fig. 3

2.2. Installation outside the reservoir

Fill the pump housing before commissioning.

Pipe ports "S" and the higher port "L" or "L₁".

a) When mounting above the reservoir, see Fig. 4.

Conditions according to 1.2.1.

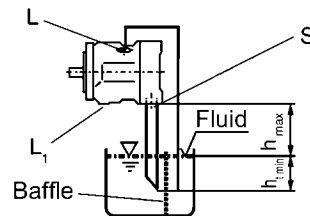


Fig. 4

b) Mounting below the reservoir

Pipe ports "L₁" and "S" according to Fig. 5, close port "L".

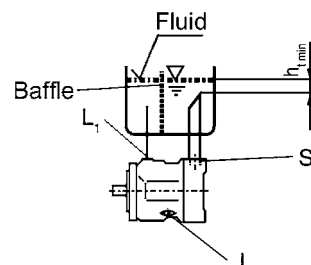
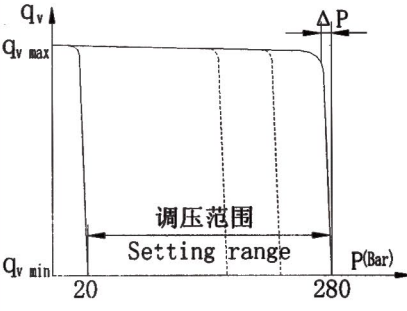
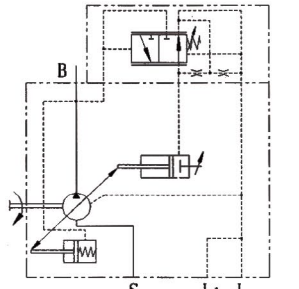
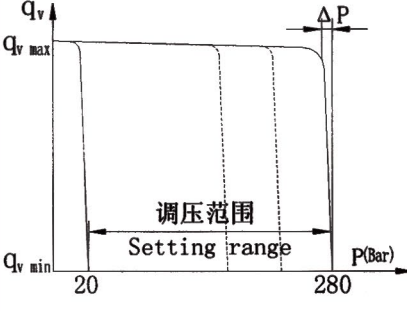
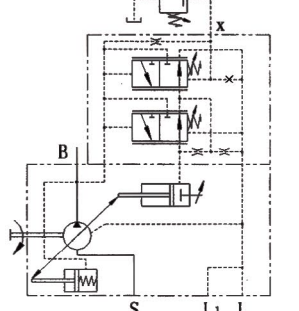
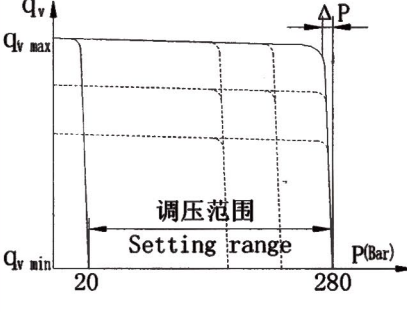
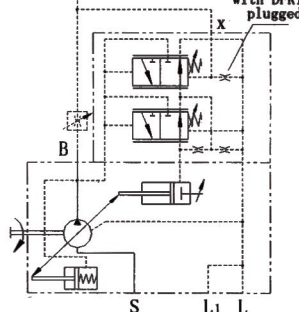
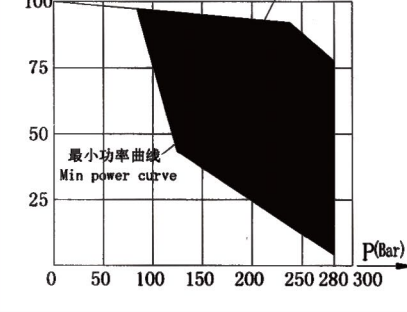
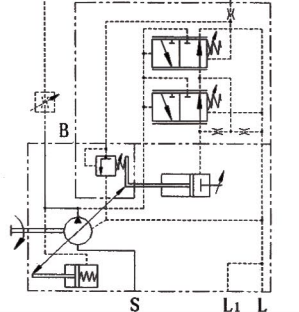


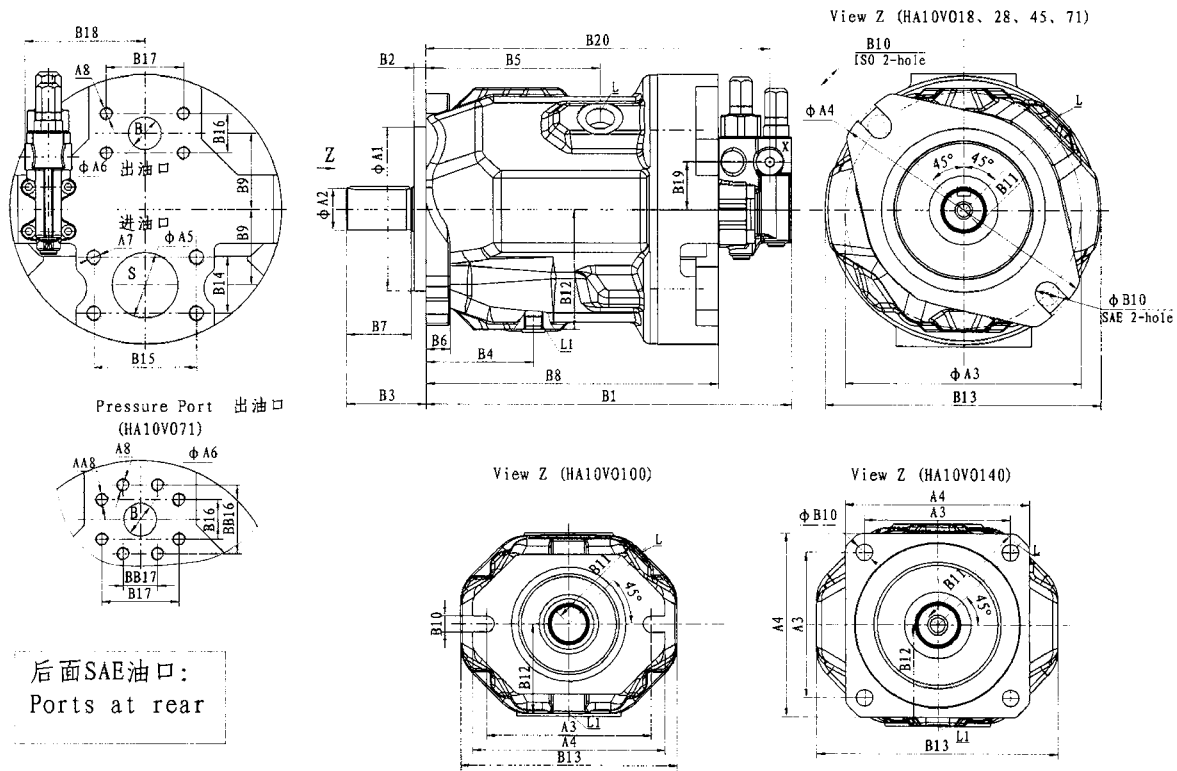
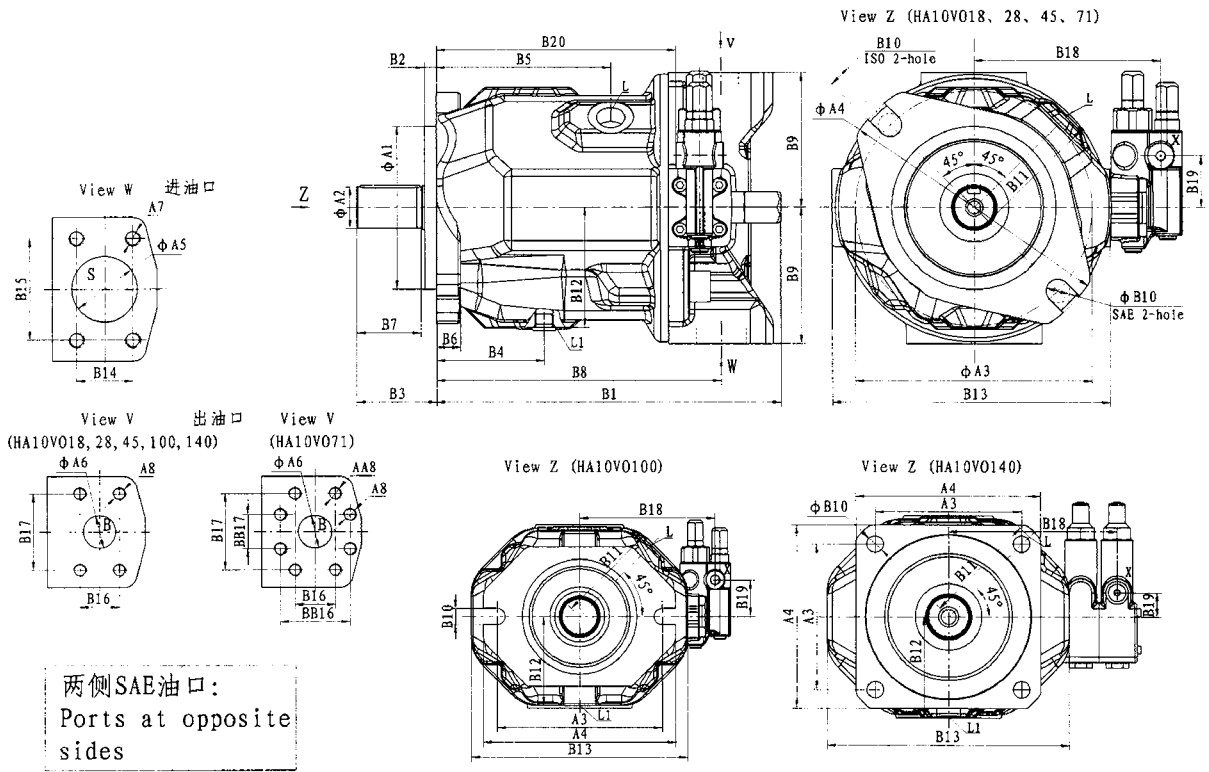
Fig. 5

七、控制方式 Controller

变量特性曲线 (Static characteristic)	液压原理 (Circuit drawing)	
<p>DR 规格 Size 18...100</p> 	<p>规格 Size 140</p> 	<p>恒压控制: 在控制范围内使液压系统中压力维持恒压, 泵仅提供系统所需流量, 压力可无级设定。 The pressure controller serves to maintain a constant pressure in a hydraulic system within the control range of the pump. The amount of hydraulic fluid required by the system. Pressure may be steplessly set at the control valve.</p>
<p>DRG 规格 Size 18...100</p> 	<p>规格 Size 140</p> 	<p>远程恒压控制: 恒压的功能与装置与 DR 相同。溢流阀接在 X 口作远程控制控制; 溢流阀不在 DRG 控制的供货范围内。 Function and equipment as for DR. A pressure relief valve can be connected to port X for remote control applications; this is not included in the items supplied with the DRG control.</p>
<p>DFR/DFR1 规格 Size 18...100</p> 	<p>规格 Size 140</p> 	<p>压力 / 流量控制: 除了恒压的功能外, 借助于负载 (如一节流孔) 的压差可改变泵的流量。泵仅供执行机构所需流量。对 DFR1, 图示节流孔堵塞。 Function and equipment as for in addition to the pressure control function, the pump flow may be varied by means of a differential pressure over an orifice or valvespool, installed in the service line. The pump flow is equal to the actual required flow by the actuator. The DFR1-valve has no connection between X and the tank.</p>
<p>DFLR 规格 Size 28...100</p> 	<p>规格 Size 140</p> 	<p>压力 / 流量 / 功率控制: 为在各种工作压力下达到恒定驱动扭矩, 泵的流量随之变化, 从而达到流量与压力的积维持常数。恒功率曲线之下可进行流量控制。 In order to achieve a constant drive torque with a varying operating pressure, the swivel angle and with it the output flow of the axial piston pump is varied so that the product of flow and pressure remains constant. Constant flow control is possible below the power curve.</p>

八、安装连接尺寸 Mounting Dimension

1. 规格 18-140 尺寸图 (Size 18 to 140)



安装法兰——相关尺寸：

Dimensions-Mounting flange

排量 Size	安装法兰 A(B) ISO 2(4)-hole					安装法兰 C(D) SAE 2(4)-hole					A4	A5	A6
	A1	A3	B2	B10	L(L1)	A1	A3	B2	B10	L(L1)			
18	80h8	109	7	11	M16×1.5	82.55h8	106.4	6.3	11	9/16-18UNF	134	25	20
28	100h8	140	9	14	M18×1.5	101.6h8	146	9.5	Φ14	3/4-16UNF	174	32	20
45	100h8	140	9	14	M22×1.5	101.6h8	146	9.5	Φ14	7/8-14UNF	174	40	25
71	125h8	180	9	18	M22×1.5	127h8	181	12.7	Φ18	7/8-14UNF	210	50	25
100	125h8	180	9	17.5	M27×2	127h8	181	12.7	17.5	1 1/16-12UNF	210	60	32
140	180h8	158.4×158.4	9	Φ18	M27×2	152.4h8	161.6×161.6	12.7	Φ20	1 1/16-12UNF	200×200	63	32

油口型式——相关尺寸：

Dimensions-Ports for service lines

排量 Size	两侧 SAE 油口 (Ports at opposite sides)						后面 SAE 油口 (Ports at rear)						公制 (UNC) 螺纹 Metric(UNC) threads		
	B1	B8	B9	B18	B19	B20	B1	B8	B9	B18	B19	B20	A7	A8	AA8
18	195	145	63	109	40	130							M10(3/8-16UNC)	M10(3/8-16UNC)	
28	206	164	80	119	40	140	225	170	45	73	43	209	M10(7/16-14UNC)	M10(3/8-16UNC)	
45	224	184	90	129	40	155	244	189	50	81.5	40	228	M12(1/2-13UNC)	M10(3/8-16UNC)	
71	259	217	104	143	40	183	278	223	58	91.5	40	262	M12(1/2-13UNC)	M10(3/8-16UNC)	M10(7/16-14UNC)
100	329	275	100	148	40	250	344	288	55	99	40	327	M12(1/2-13UNC)	M14(1/2-13UNC)	
140	337.5	275	110	183	27	222	379	293	60	140	27	353	M12(1/2-13UNC)	M14(1/2-13UNC)	

轴端型式——相关尺寸：

Dimensions-shaft end

排量 Size	U W 轴 S h a f t	A2			P 轴 S h a f t	A2			S R 轴 S h a f t	A2			k 轴 S h a f t	A2		
		B3	B7			B3	B7			B3	B7			B3	B7	
18		Φ15.875(16/32DP;9T)	31.8	23.8		Φ18(键 key6×25)	36	28		Φ19.05(16/32DP;11T)	38	30		Φ19.05(键 key4.76×28.6)	41	33
28						Φ22(键 key6×32)	46	36		Φ22.225(16/32DP;13T)	41	33.1		Φ22.225(键 key6.35×28.6)	41.3	33.3
45		Φ22.225(16/32DP;13T)	41	33.1		Φ25(键 key8×36)	52	42		Φ25.4(16/32DP;15T)	45.9	38		Φ25.4(键 key6.35×34.9)	45.9	38.1
71						Φ32(键 key10×45)	60	50		Φ31.75(12/24DP;14T)	55.4	47.5		Φ31.75(键 key7.94×41.3)	55.4	47.5
100		Φ31.75(12/24DP;14T)	55.4	47.5		Φ40(键 key12×68)	80	70		Φ38.1(12/24DP;17T)	61.9	54		Φ38.1(键 key9.52×52.1)	61.9	54
140						Φ45(键 key14×80)	92	82		Φ44.45(8/16 DP;13T)	75	67		Φ44.45(键 key11.11×65)	75	67

通用尺寸：

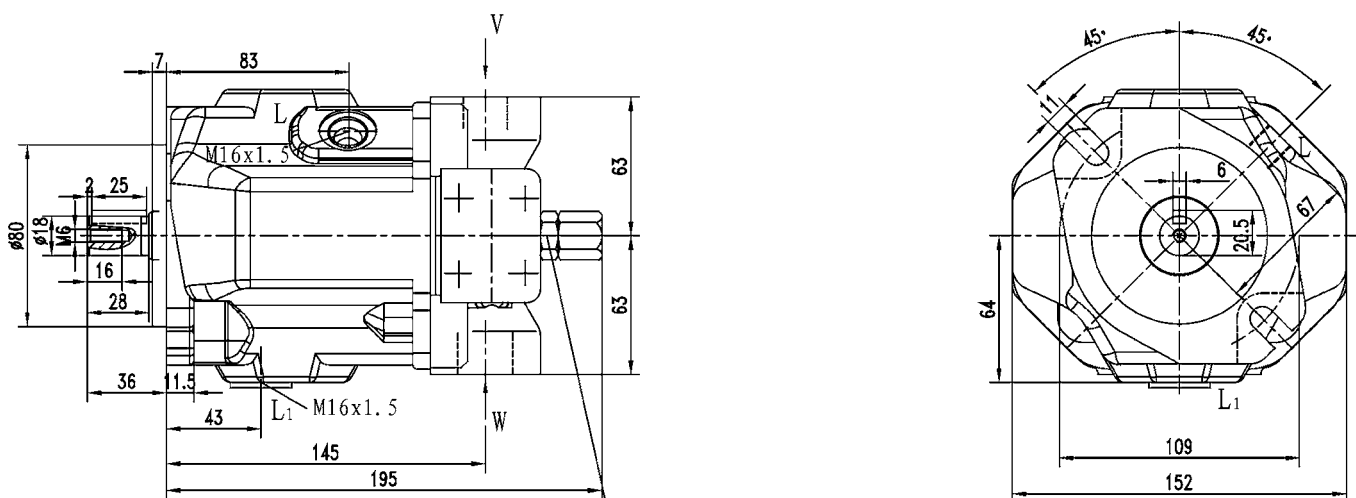
Dimensions

排量 Size	B4	B5	B6	B11	B12	B13	B14	B15	B16	B17	BB16	BB17	X	B	S
18	43	83	11.5	67	66	152	26.2	52.4	22.2	47.6			7/16-20UNF	3/4"	1"
28	40	90	13	74	75	164	30.2	58.7	22.2	47.6			7/16-20UNF	3/4"	1 1/4"
45	45	96	13	83	81	184	35.7	69.9	26.2	52.4			7/16-20UNF	1"	1 1/2"
71	53	115	17	98	92	210	42.9	77.8	30.2	58.7	52.4	26.2	7/16-20UNF	1"	2"
100	95	175	20	106	95	236	50.8	88.9	31.8	66.7			7/16-20UNF	1 1/4"	2 1/2"
140	78	173	21	118.5	108	262	50.8	88.9	31.8	66.7			M14×1.5	1 1/4"	2 1/2"

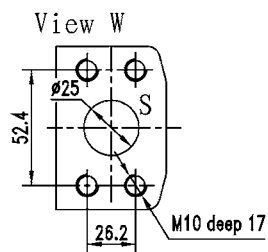
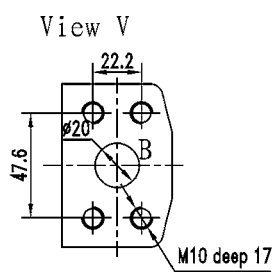
2. 规格 18 尺寸 (Unit dimensions, size 18)

ISO 法兰 Flange ISO

P 轴 Shaft P (HA10VSO 18 XXX/31X-PPA12N00)

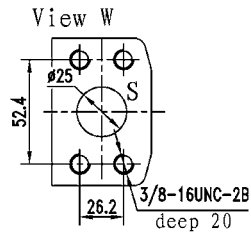
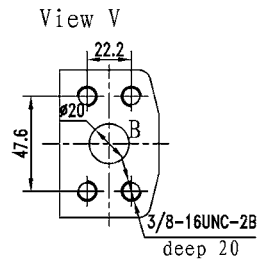
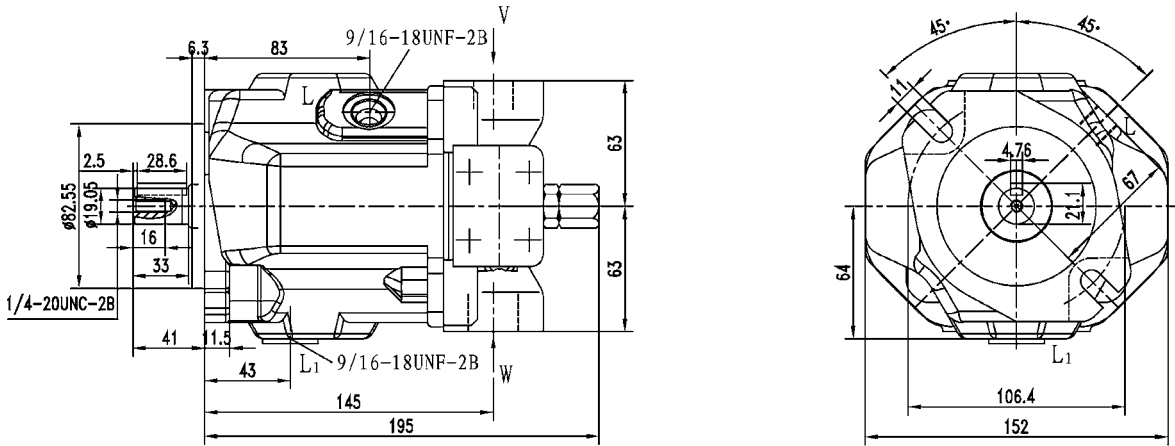


机械排量限制器
mech. displacement limiter

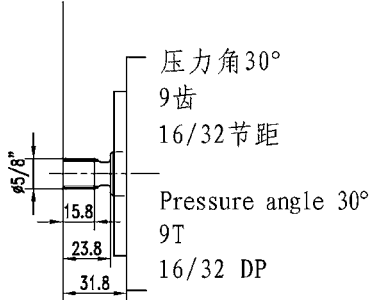


SAE 法兰 Flange SAE

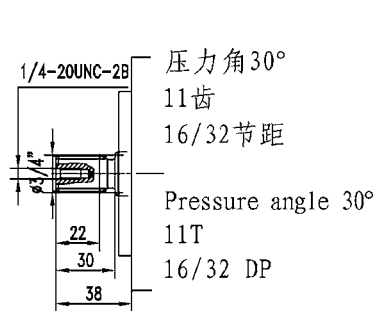
K 轴 Shaft K (HA10VSO 18 XXX/31X-PKC62N00)



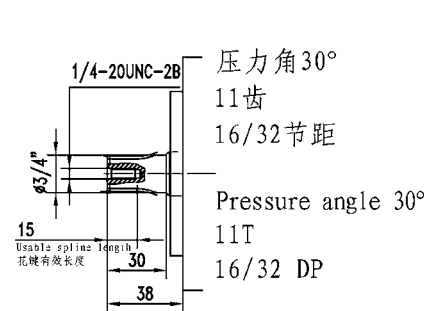
U轴 Shaft U



S轴 Shaft S



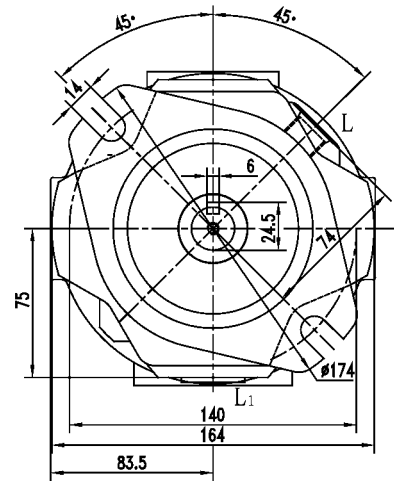
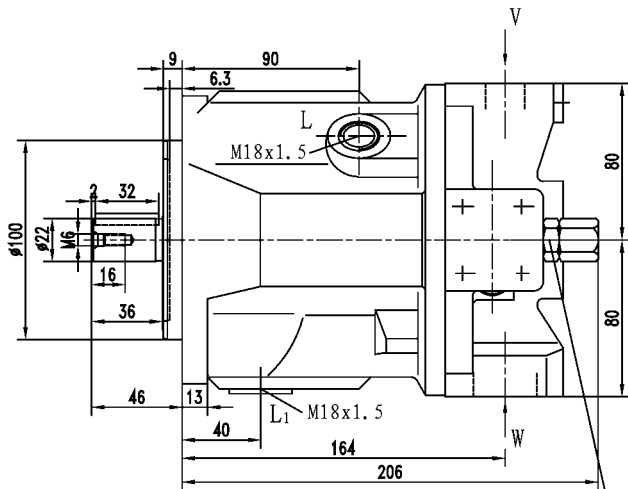
R轴 Shaft R



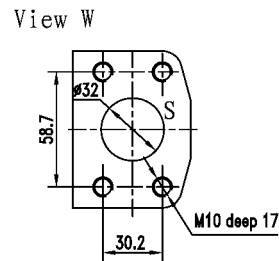
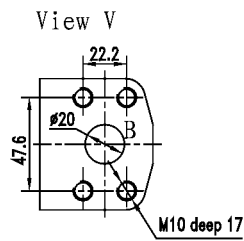
3. 规格 28 尺寸 (Unit dimensions, size 28)

ISO 法兰 Flange ISO

P 轴 Shaft P (HA10VSO 28 XXX/31X-PPA12N00)

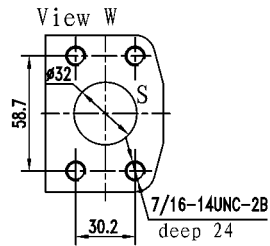
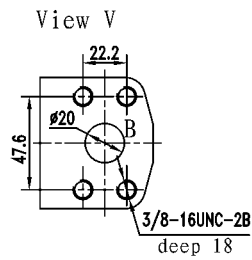
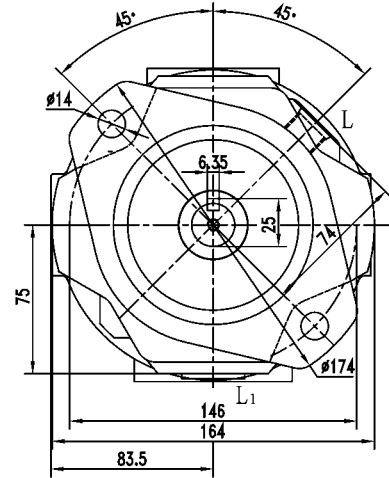
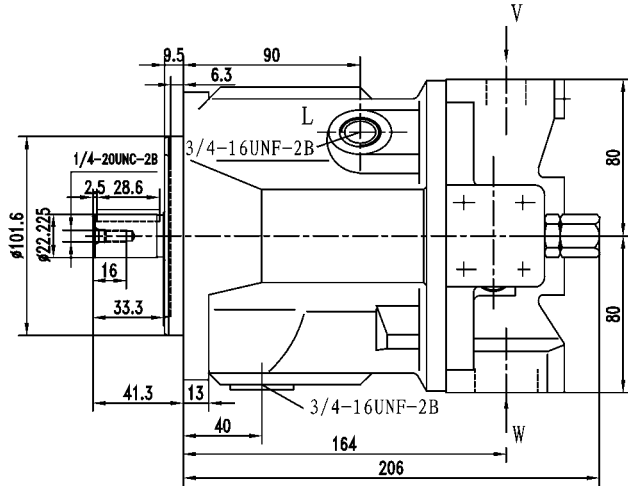


机械排量限制器
mech. displacement limiter

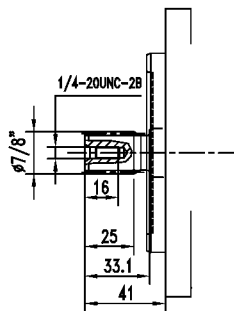


SAE 法兰 Flange SAE

K 轴 Shaft K (HA10VSO 28 XXX/31X-PKC62N00)



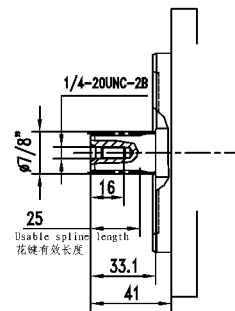
S轴 Shaft S



压力角 30°
13齿
16/32 节距

Pressure angle 30°
13T
16/32 DP

R轴 Shaft R



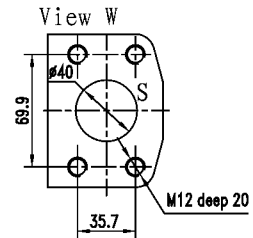
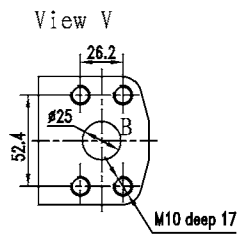
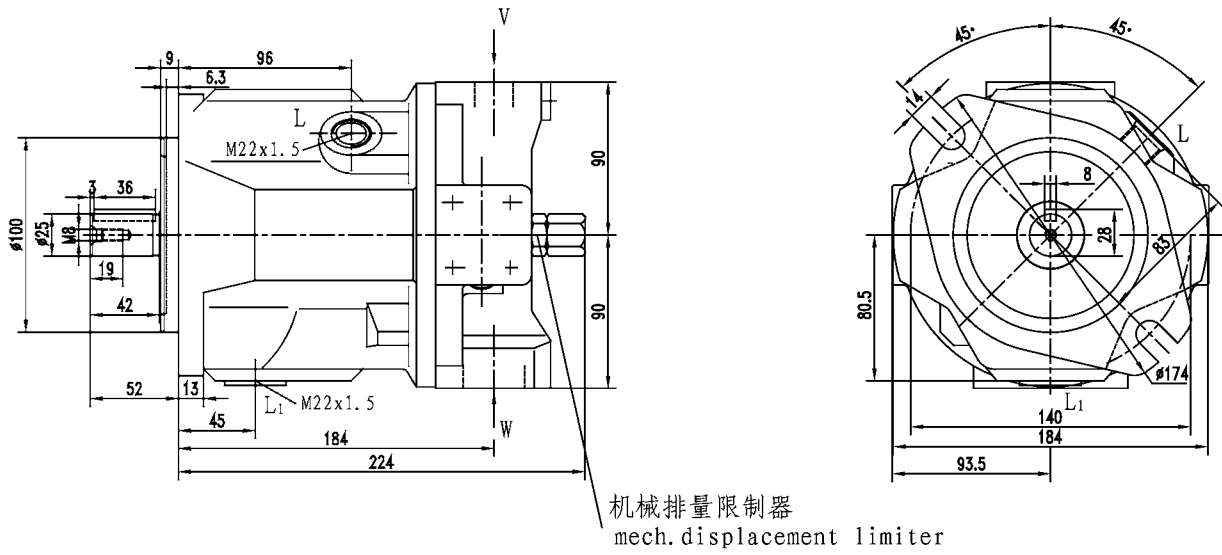
压力角 30°
13齿
16/32 节距

Pressure angle 30°
13T
16/32 DP

4. 规格 45 尺寸 (Unit dimensions, size 45)

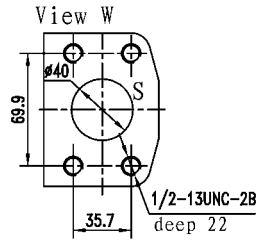
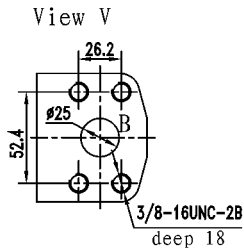
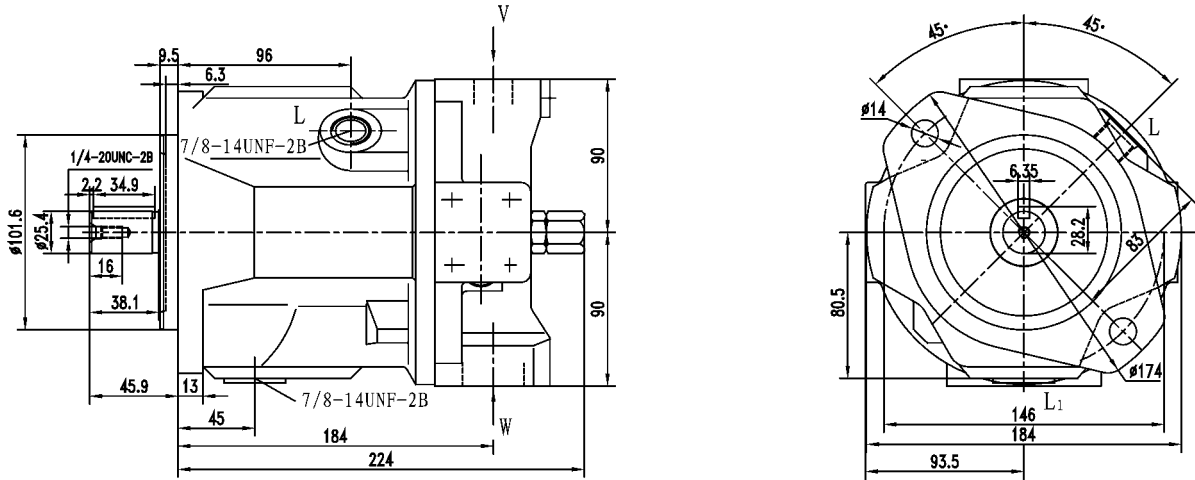
ISO 法兰 Flange ISO

P 轴 Shaft P (HA10VSO 45 XXX/31X-PPA12N00)

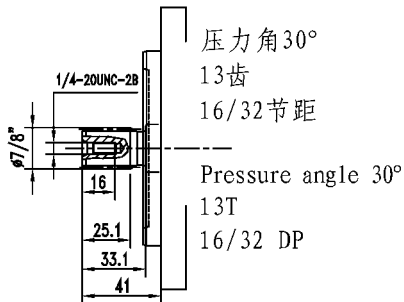


SAE 法兰 Flange SAE

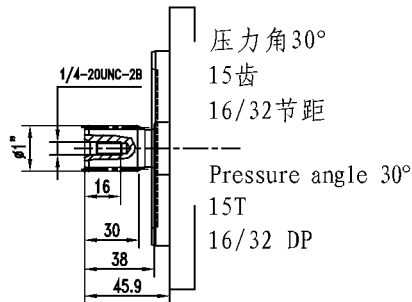
K 轴 Shaft K (HA10VSO 45 XXX/31X-PKC62N00)



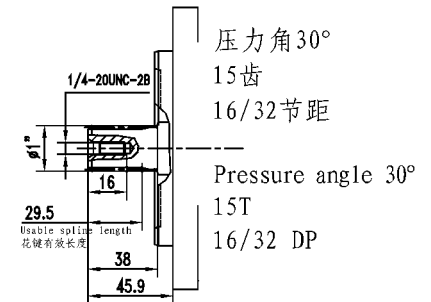
U 轴 Shaft U



S 轴 Shaft S



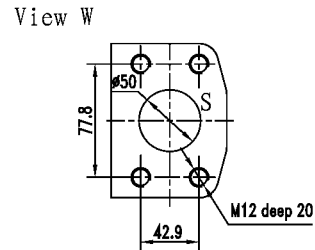
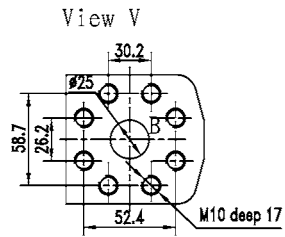
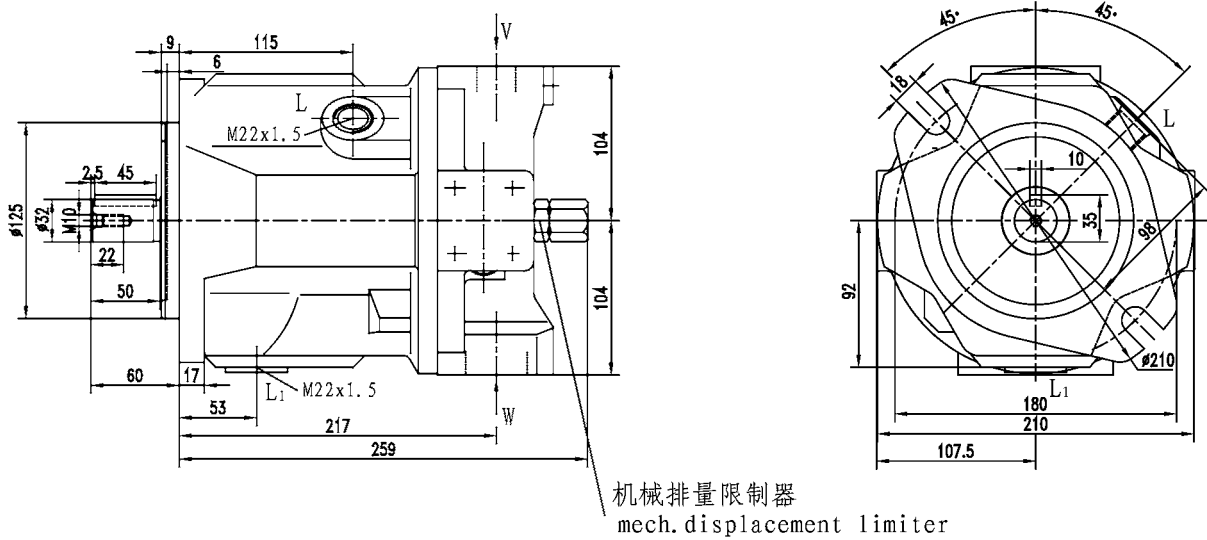
R 轴 Shaft R



5. 规格 71 尺寸 (Unit dimensions, size 71)

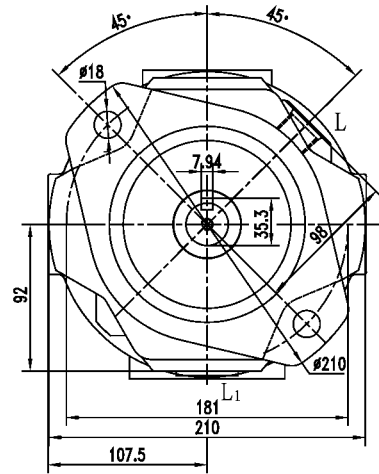
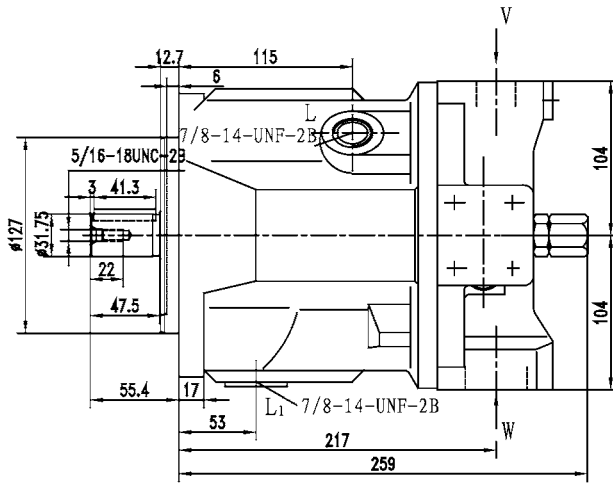
ISO 法兰 Flange ISO

P 轴 Shaft P (HA10VSO 71 XXX/31X-PPA12N00)

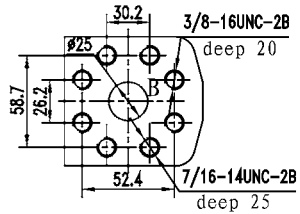


SAE 法兰 Flange SAE

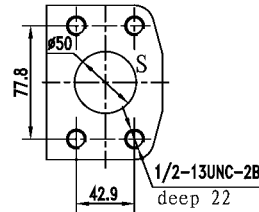
K 轴 Shaft K (HA10VSO 71 XXX/31X-PKC62N00)



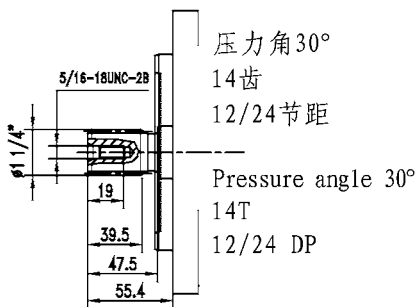
View V



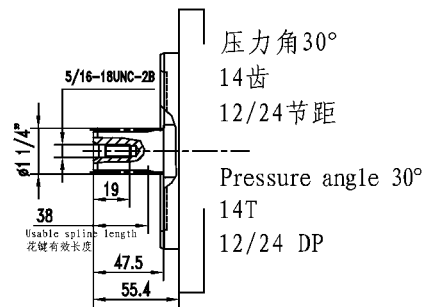
View W



S 轴 Shaft S



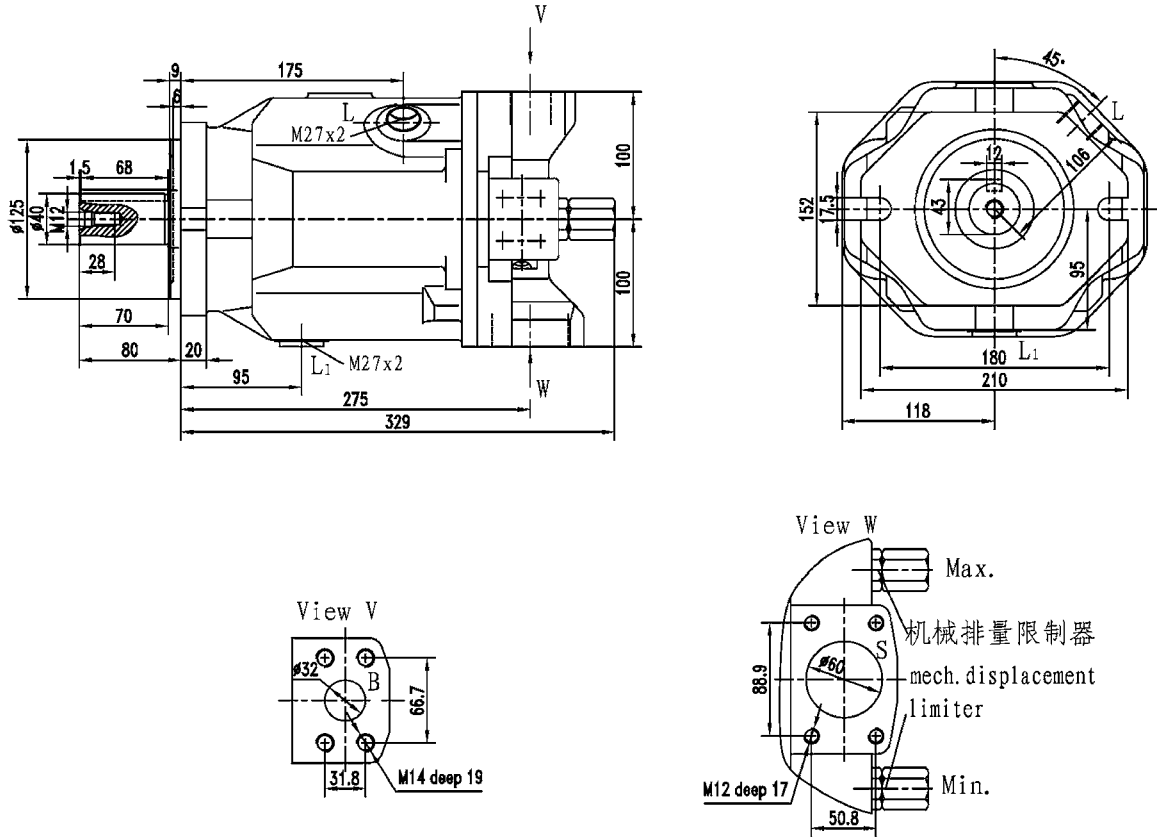
R 轴 Shaft R



6. 规格 100 尺寸 (Unit dimensions, size 100)

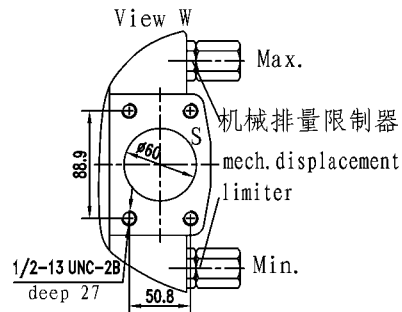
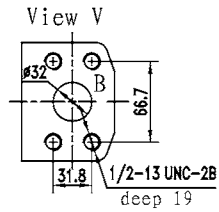
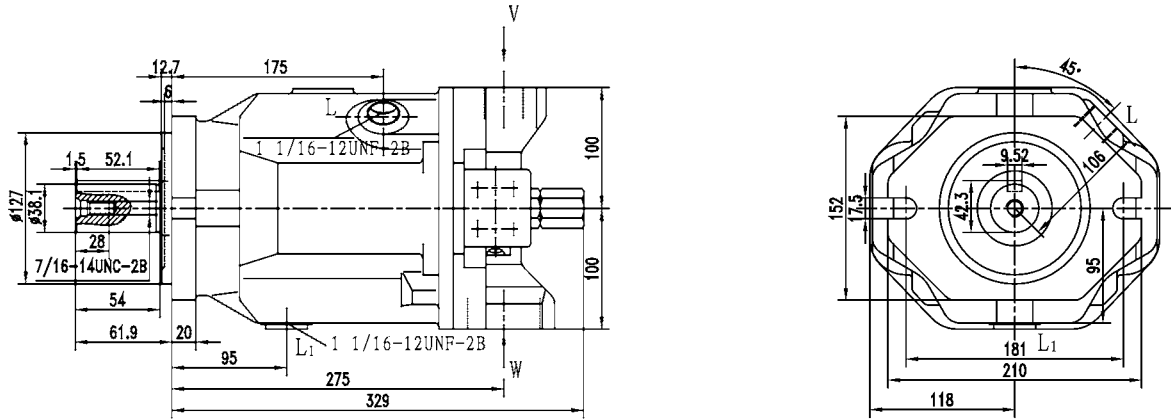
ISO 法兰 Flange ISO

P 轴 Shaft P (HA10VSO 100 XXX/31X-PPA12N00)

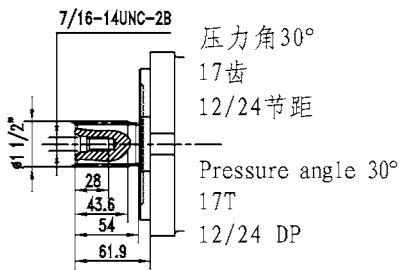


SAE 法兰 Flange SAE

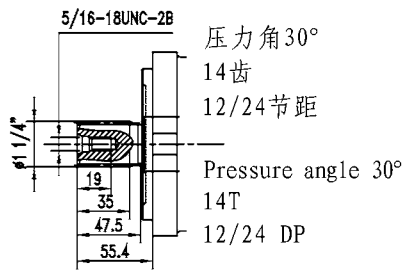
K 轴 Shaft K (HA10VSO 100 XXX/31X-PKC62N00)



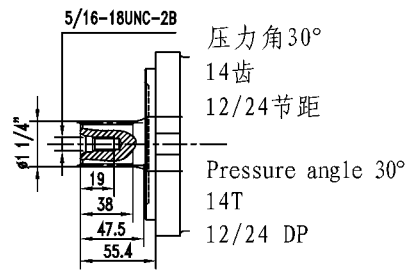
S轴 Shaft S



U轴 Shaft U



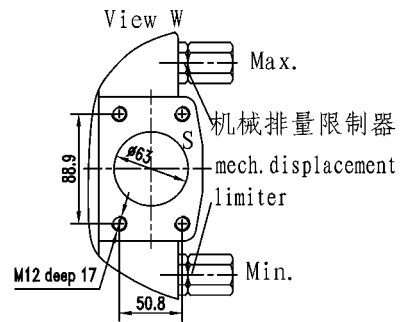
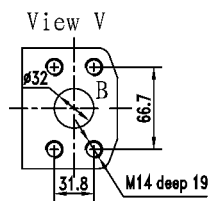
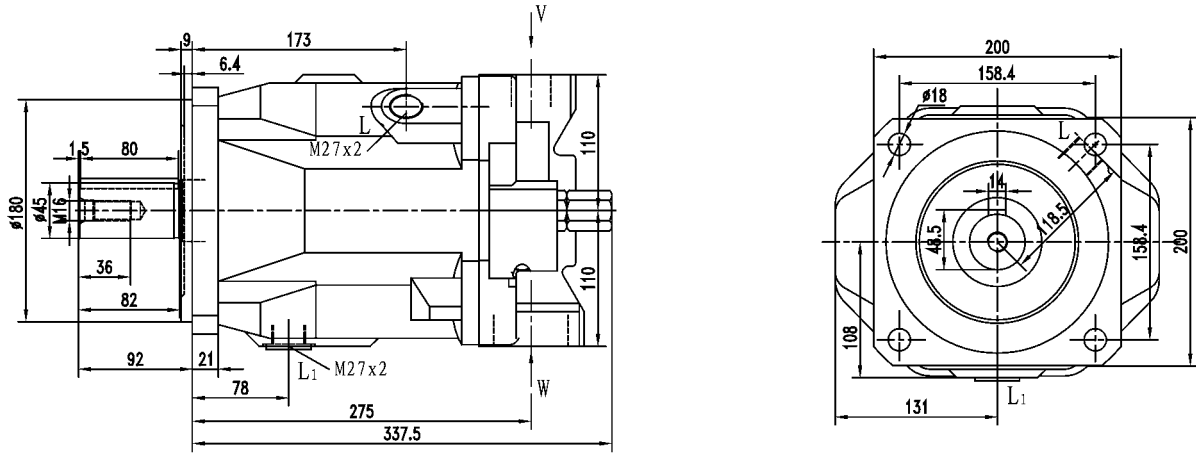
W轴 Shaft W



7. 规格 140 尺寸 (Unit dimensions, size 140)

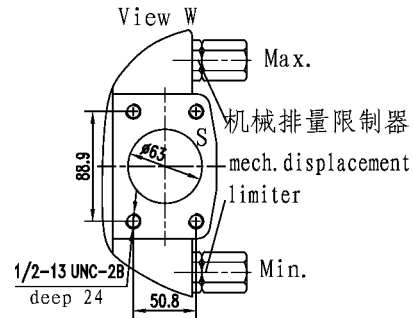
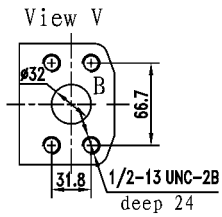
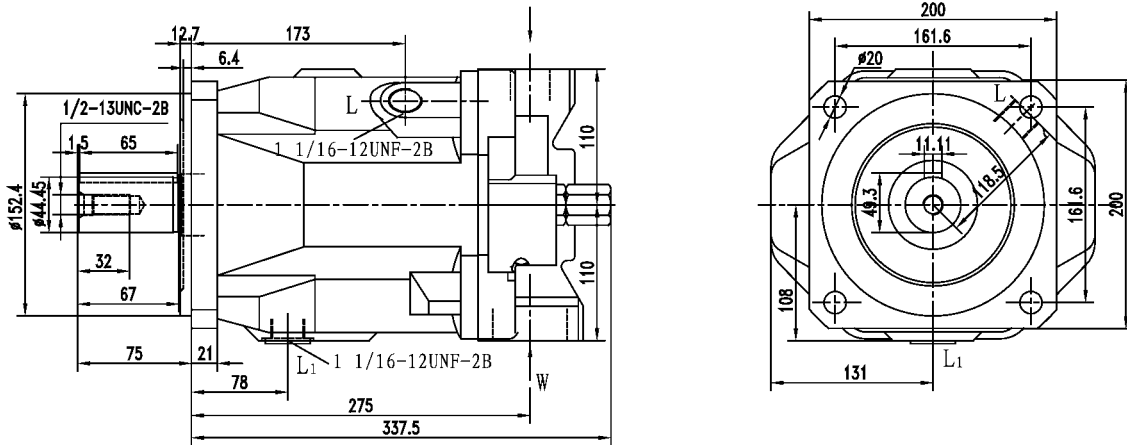
ISO 法兰 Flange ISO

P 轴 Shaft P (HA10VSO 140 XXX/31X-PPB12N00)

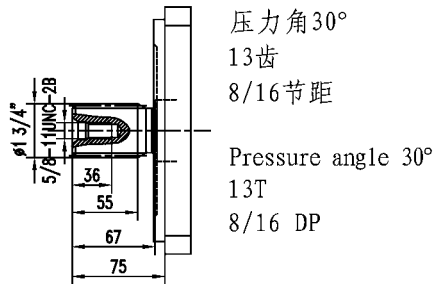


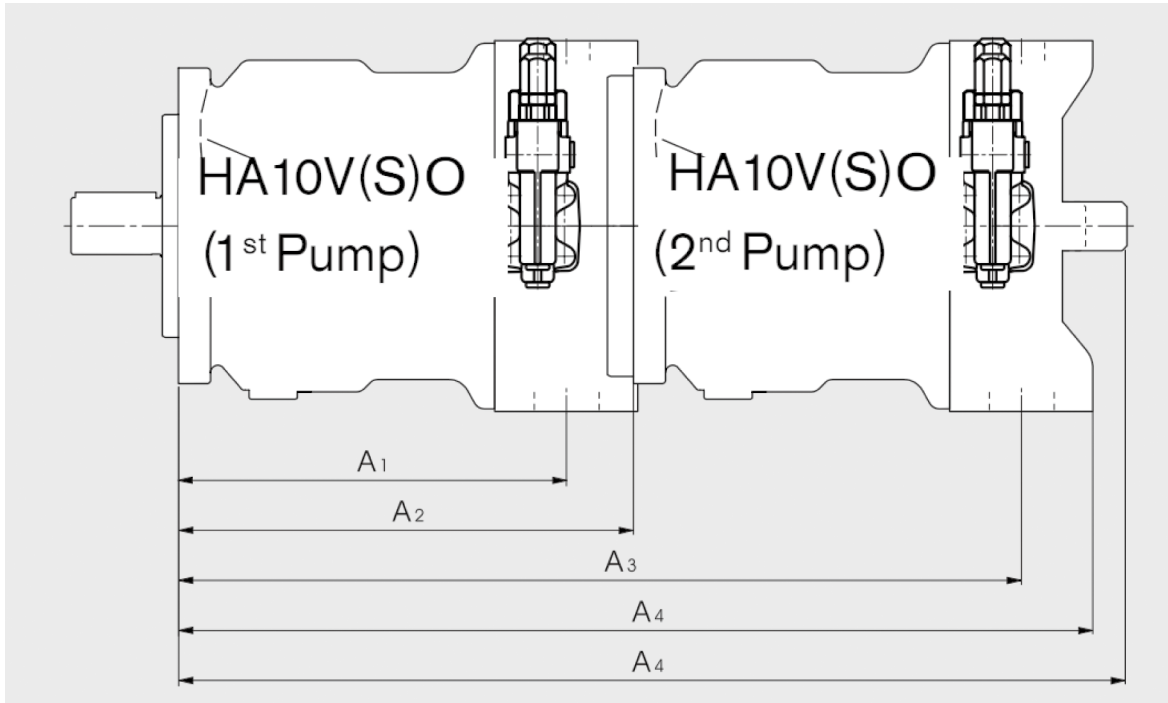
SAE 法兰 Flange SAE

K 轴 Shaft K (HA10VSO 140 XXX/31X-PKD62N00)



S轴 Shaft S



九、通轴 Through drive


A10V(S)O (1.Pump)

A10V(S)O (2.Pump)	HA10VSO18				HA10VSO28				HA10VO 45				HA10VSO71				HA10VO 100				HA10VO 140			
	A1	A2	A3	A4	A1	A2	A3	A4	A1	A2	A3	A4	A1	A2	A3	A4	A1	A2	A3	A4	A1	A2	A3	A4
HA10VSO18	5.71	7.17	12.87	14.84	6.50	8.30	13.74	15.71	7.24	9.02	14.72	16.69	8.54	10.51	16.22	18.19	10.83	13.31	19.02	20.98	10.83	13.78	19.49	21.46
	(145)	(182)	(327)	(377)	(165)	(204)	(349)	(399)	(184)	(229)	(374)	(424)	(217)	(267)	(412)	(462)	(275)	(338)	(483)	(533)	(275)	(350)	(495)	(545)
HA10VSO28	-	-	-	-	6.50	8.03	14.53	15.67	7.24	9.02	15.51	16.65	8.54	10.51	17.01	18.15	10.83	13.31	19.80	20.94	10.83	13.78	20.28	21.42
					(165)	(204)	(369)	(398)	(184)	(229)	(394)	(423)	(217)	(267)	(432)	(461)	(275)	(338)	(503)	(532)	(275)	(350)	(515)	(544)
HA10VSO45	-	-	-	-	-	-	-	-	7.24	9.02	16.30	17.64	8.54	10.51	17.76	19.36	10.83	13.31	20.55	21.93	10.83	13.78	21.02	22.40
									(184)	(229)	(413)	(448)	(217)	(267)	(415)	(486)	(275)	(338)	(522)	(557)	(275)	(350)	(534)	(569)
HA10VSO71	-	-	-	-	-	-	-	-	-	-	-	-	8.54	10.51	19.06	20.63	10.83	13.31	21.85	23.43	10.83	13.78	22.32	23.90
													(217)	(267)	(484)	(524)	(275)	(338)	(555)	(595)	(275)	(350)	(567)	(607)
HA10VSO100	-	-	-	-	-	-	-	-	-	-	-	-	-	-	-	-	10.83	13.31	24.13	25.79	10.83	13.78	24.61	26.26
																	(275)	(338)	(613)	(655)	(275)	(350)	(625)	(667)
HA10VSO140	-	-	-	-	-	-	-	-	-	-	-	-	-	-	-	-	-	-	-	-	10.83	13.78	24.61	26.26
																					(275)	(350)	(625)	(667)

1. 如果两台泵需要组装供货，则两个订货型号要用“+”号连接起来。

If a second pump must be factory mounted, the two individual model codes must be combined with a “+” .

Model code pump 1+ model code pump 2.

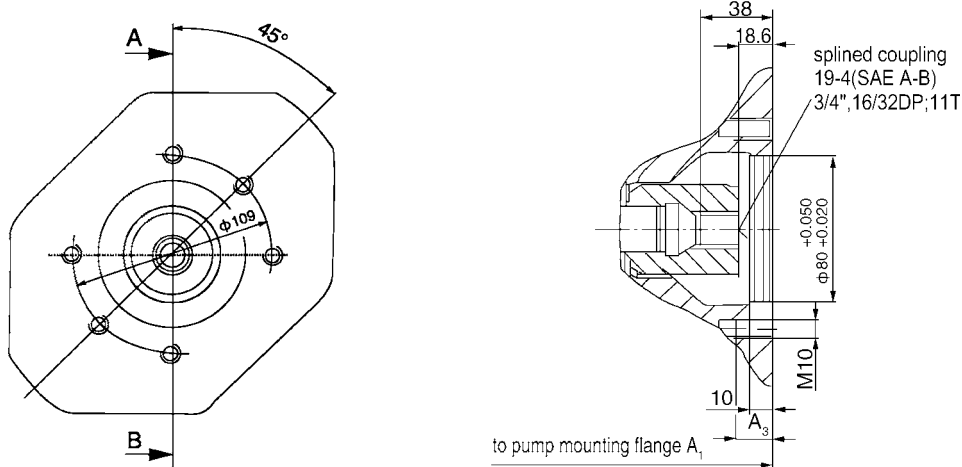
订货示例 Ordering example :

HA10VO100DR/31R-PSC12K07 + HA10VO71DR/31R-PSC12N00

通轴 KB2 元件尺寸 Unit Dimensions Through Drives KB2

法兰 ISO 80, 2 孔, 用于添加 A10VSO10(花键轴 S, A 型安装法兰) 或 A10VSO18(花键轴 S 或 R, A 型安装法兰)。
Flange ISO 80, 2-hole for built-on A10VSO 10 (splined shaft S, mounting flange A) or A10VSO 18 (splined shaft S or R, mounting flange A)

订货型号 Order code KB2

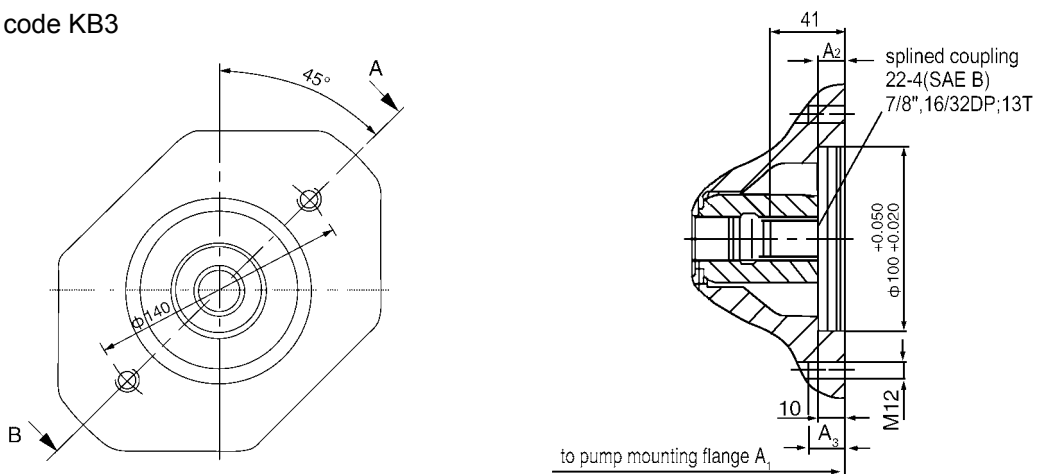


Size main pump	A ₁	A ₃
18	182	14.5
28	204	16
45	229	16
71	267	20

通轴 KB3 元件尺寸 Unit Dimensions Through Drives KB3

法兰 ISO100, 2 孔, 用于添加 A10VSO28 泵 (花键轴 S 或 R)
Flange ISO 100, 2-hole for built-on A10VSO28 (splined shaft S or R);

订货型号 Order code KB3



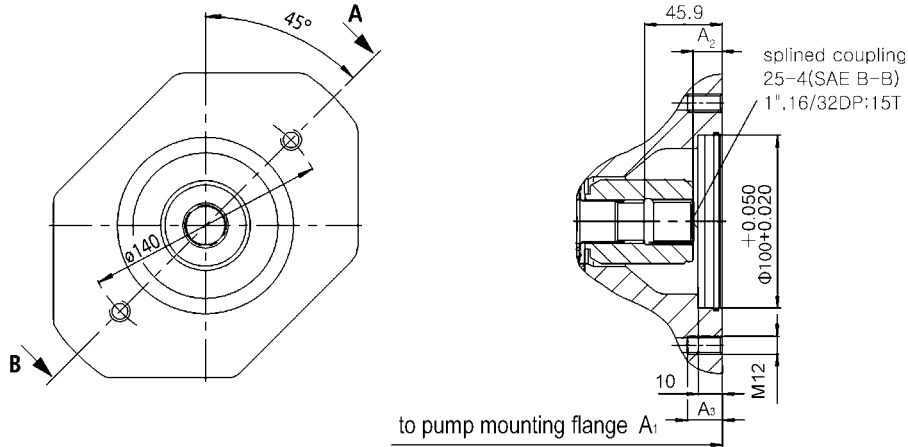
Size main pump	A ₁	A ₂	A ₃
28	204	19.2	14
71	267	16.5	18
100	338	17.6	18
140	350	18.2	24

通轴 KB4 元件尺寸 Unit Dimensions Through Drives KB4

法兰 ISO 100, 2 孔, 用于添加 A10VSO45 泵 (花键轴 S 或 R)

Flange ISO 100, 2-hole for built-on A10VSO 45 (splined S or R);

订货型号 Order code KB4



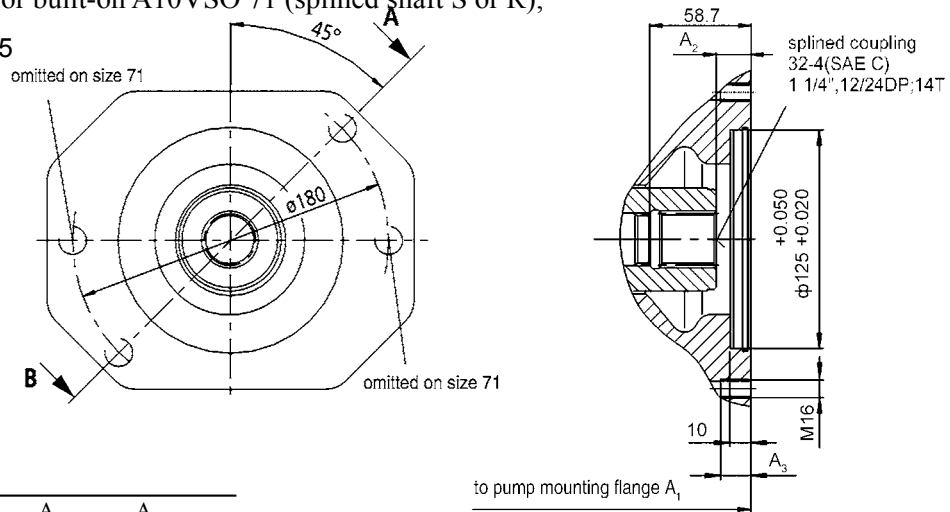
Size main pump	A_1	A_2	A_3
45	229	17.2	14
71	267	17.2	18
100	338	18.2	20
140	350	18.2	24

通轴 KB5 元件尺寸 Unit Dimensions Through Drives KB5

法兰 ISO 125, 2 孔, 用于添加 A10VSO71 泵 (花键轴 S 或 R)

Flange ISO 125, 2-hole for built-on A10VSO 71 (splined shaft S or R);

订货型号 Order code KB5



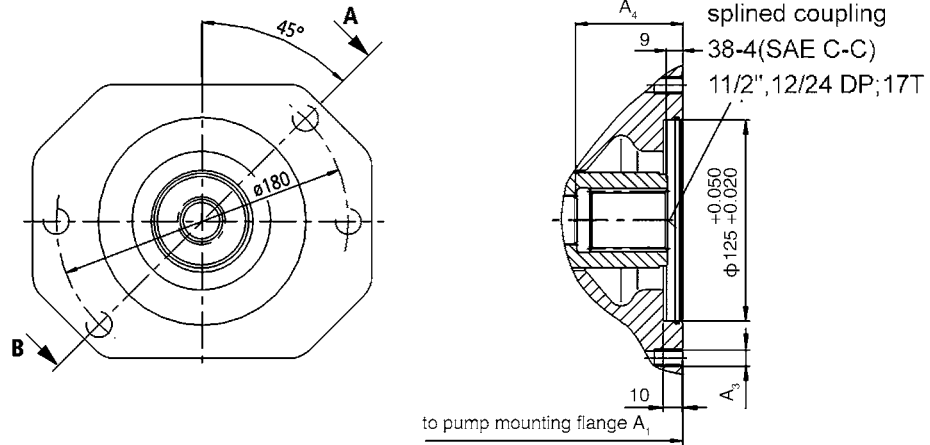
Size main pump	A_1	A_2	A_3
71	267	20	18.5
100	338	20	25
140	350	21	32

通轴 KB6 元件尺寸 Unit Dimensions Through Drives KB6

法兰 ISO 125, 2 孔, 用于添加 A10VSO100 泵 (花键轴 S)

Flange ISO 125, 2-hole for built-on A10VSO 100 (splined shaft S);

订货型号 Order code KB6



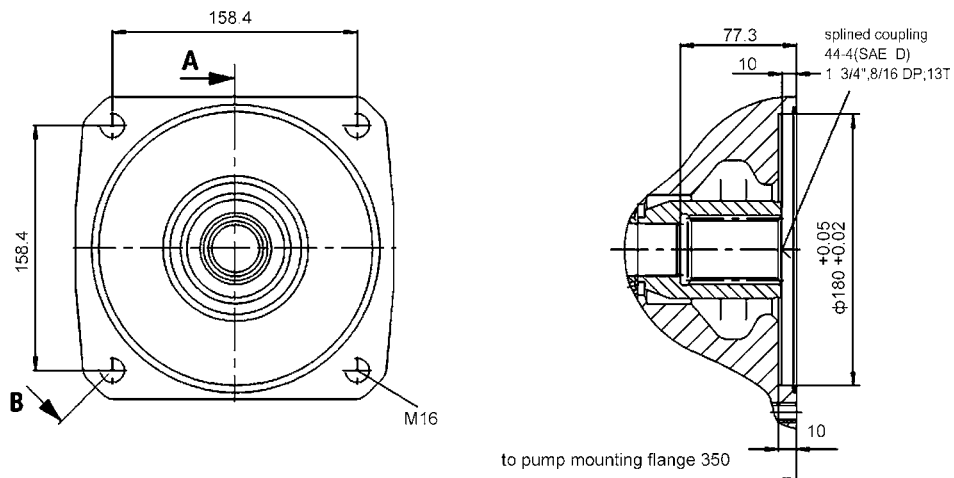
Size main pump	A ₁	A ₃	A ₄
100	338	M16;25deep	65
140	350	M16;32deep	77.3

通轴 KB7 元件尺寸 Unit Dimensions Through Drives KB7

法兰 ISO 180, 4 孔, 用于添加 A10VSO140 泵 (花键轴 S)

Flange ISO 180, 4-hole for built-on A10VSO 140 (splined shaft S);

订货型号 Order code KB7

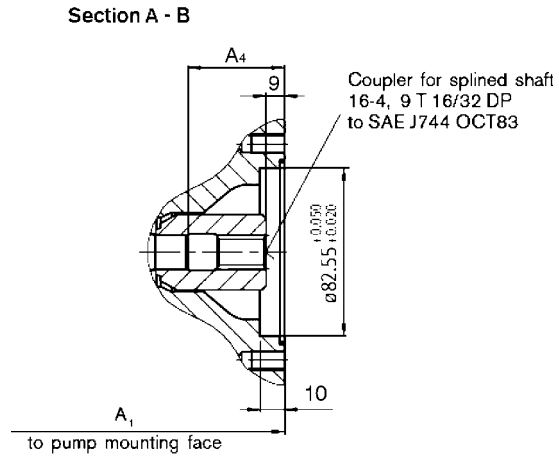
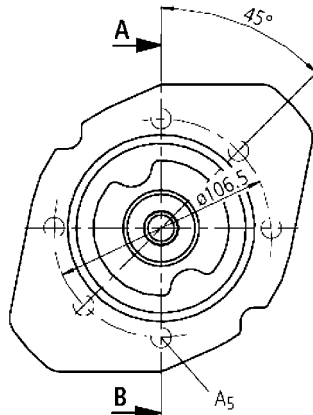


通轴 K01 元件尺寸 Unit Dimensions Through Drives K01

法兰 SAE82-2, (SAE A, 2 孔), 用于添加外齿轮泵 1PF2G2, 用于添加 A10VS018 泵 (轴 U, 法兰 C)

Flange SAE 82-2, SAE A 2-hole for built-on external gear pump 1PF2G2 or A10VSO 18 (shaft U, flange C);

订货型号 Order code K01



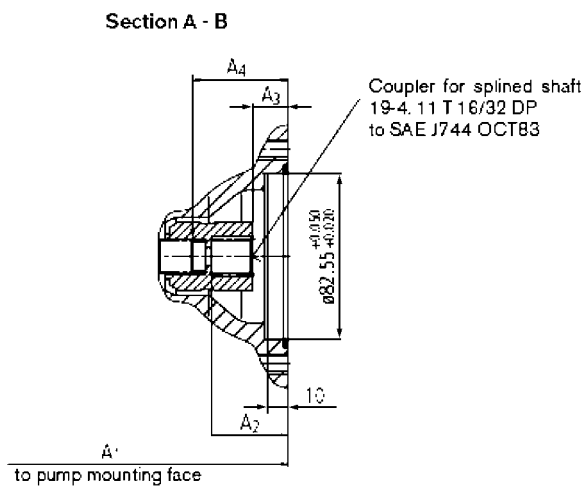
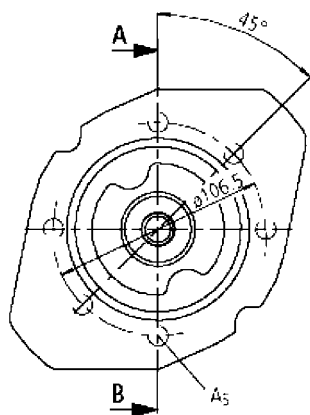
Size main pump	A ₁	A ₄	A ₅
18	182	42	M10;14 deep
28	204	47	M10;14.5 deep
45	229	53	M10;14.5 deep
71	267	61	M10;17 deep
100	338	65	M10;17 deep
140	350	77	M10;17 deep

通轴 K52 元件尺寸 Unit Dimensions Through Drives K52

法兰 SAE 82-2, (SAE A, 2 孔), 用于添加 A10VSO 10 泵或用于添加 A10VSO18 泵 (轴 S 或 R, 法兰 C)

Flange SAE 82-2, SAE A 2-hole for built-on A10VSO10 (shaft S, flange C) or A10VSO18 (shaft S or R, flange C);

订货型号 Order code K52



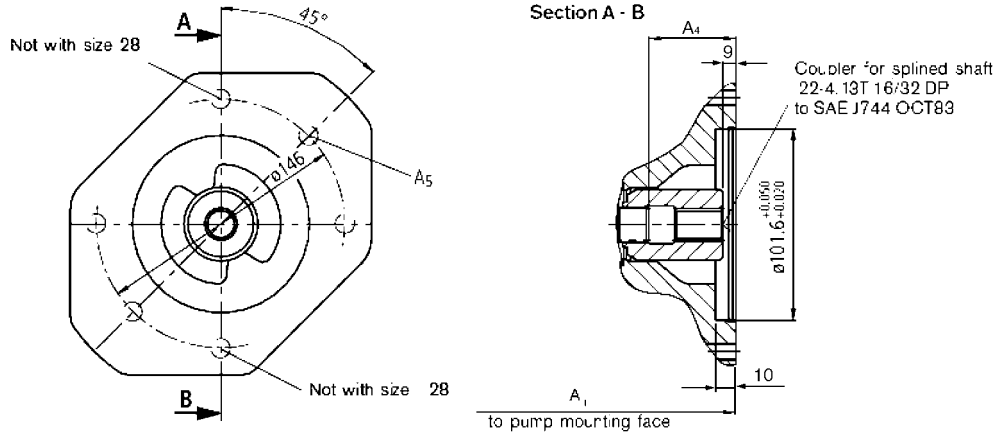
Size main pump	A ₁	A ₂	A ₃	A ₄	A ₅
18	182	40	17.5	43	M10;16 deep
28	204	39	17.5	47	M10;16 deep
45	229	40.5	17.5	53	M10;16 deep
71	267	40	17.5	61	M10;20 deep
100	338	40	17.5	65	M10;20 deep
140	350	41	17.5	77	M10;20 deep

通轴 K02 元件尺寸 Unit Dimensions Through Drives K02

法兰 SAE 101-2, (SAE B, 2 孔), 用于添加外齿轮泵 1PF2G3

Flange SAE 101-2, SAE B 2-hole for built-on external gear pump 1PF2G3

订货型号 Order code K02



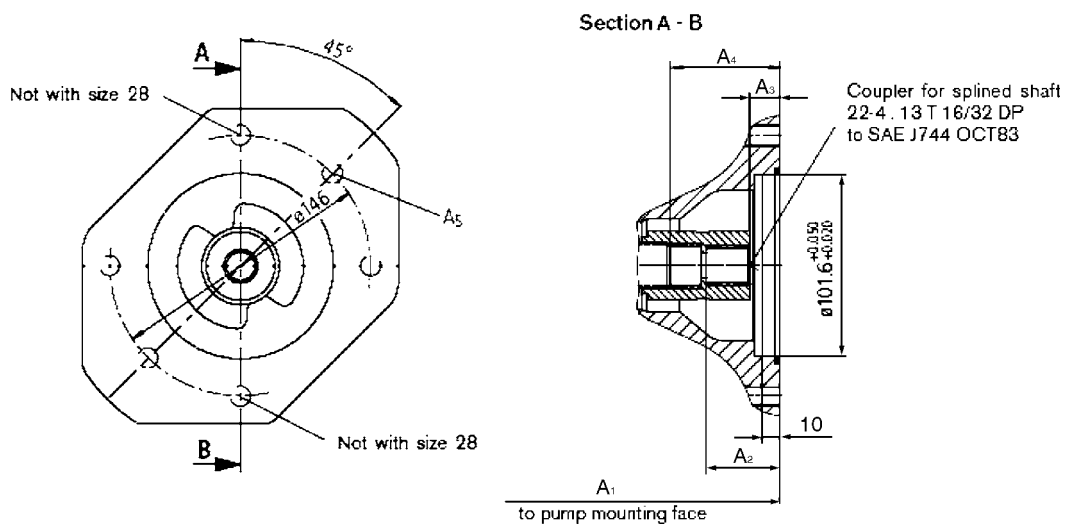
Size main pump	A ₁	A ₄	A ₅
28	204	47	M12;15 deep
45	229	53	M12;18 deep
71	267	61	M12;20 deep
100	338	65	M12;20 deep
140	350	77	M12;20 deep

通轴 K68 元件尺寸 Unit Dimensions Through Drives K68

法兰 SAE 101-2, (SAE B, 2 孔), 用于添加 A10VSO28 泵 (轴 S 或轴 R, 法兰 C)

Flange SAE 101-2, SAE B 2-hole for built-on A10VSO28 (shaft S or R-flange C)

订货型号 Order code K68



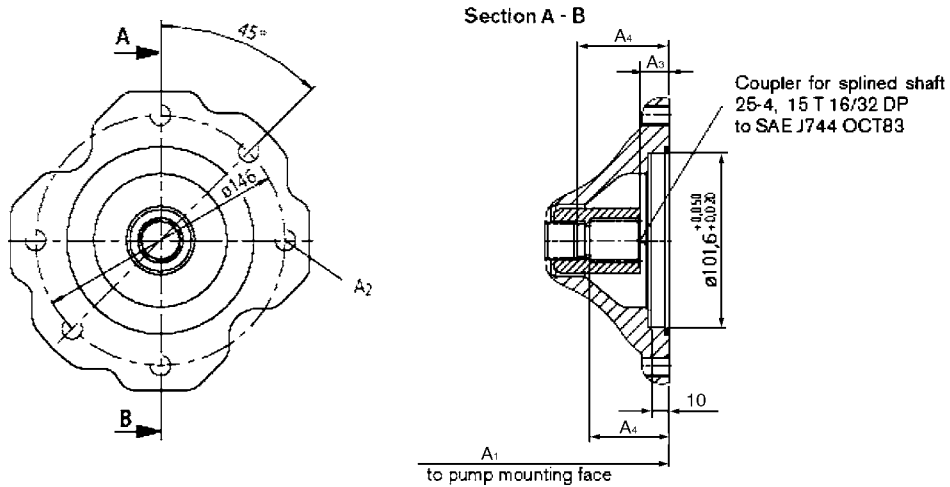
Size main pump	A ₁	A ₂	A ₃	A ₄	A ₅
28	204	43	16.5	47	M12;15 deep
45	229	42	16.5	53	M12;18 deep
71	267	43	16.5	61	M12;20 deep
100	338	41	16.5	65	M12;20 deep
140	350	44	16.5	77	M12;20 deep

通轴 K04 元件尺寸 Unit Dimensions Through Drives K04

法兰 SAE 101-2, (SAE B, 2 孔), 用于添加 A10VSO45 泵 (轴 S 或轴 R, 法兰 C)

Flange SAE 101-2, SAE B 2-hole for built-on A10VSO28(shaft S or R, flange C)

订货型号 Order code K04



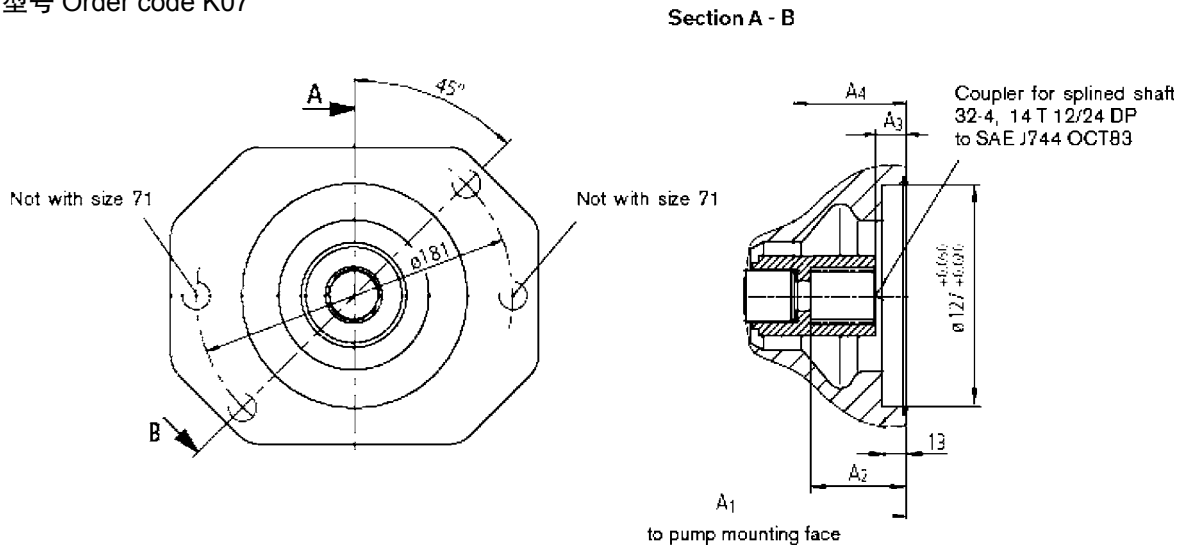
Size main pump	A ₁	A ₂	A ₃	A ₄	A ₅
45	229	47.5	16.9	53	M12;18deep
71	267	47.5	16.9	61	M12;20deep
100	338	47.5	16.9	65	M12;20deep

通轴 K07 元件尺寸 Unit Dimensions Through Drives K07

法兰 SAE 127-2, (SAE C, 2 孔), 用于添加 A10VSO71 泵 (轴 S 或轴 R, 法兰 C)

Flange SAE 127-2, SAE C 2-hole for built-on A10VSO71(shaft S or R, flange C)

订货型号 Order code K07



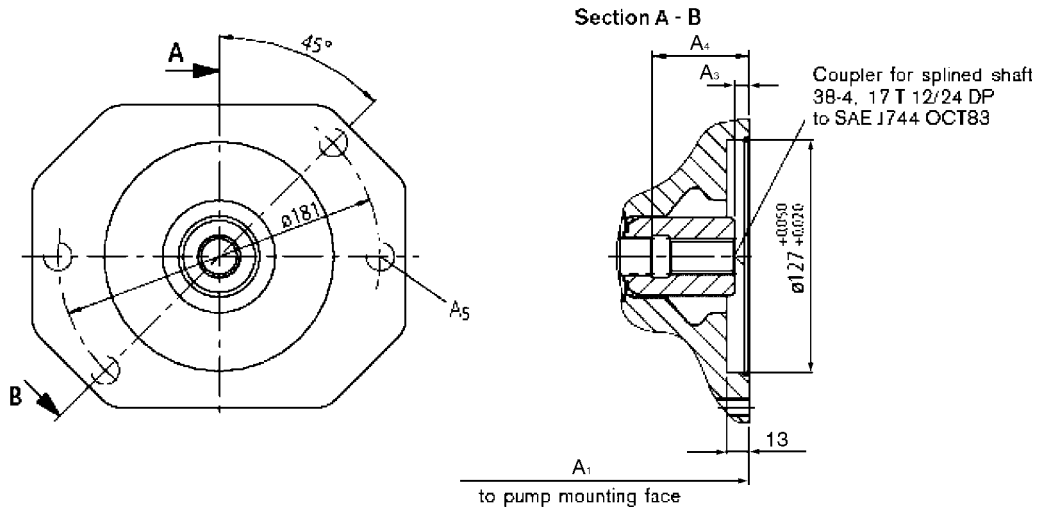
Size main pump	A ₁	A ₂	A ₃	A ₄	A ₅
71	267	55.5	17.9	61	M16;18deep
100	338	57	17.9	65	M16;25deep
140	350	60	17.9	77	M16;32deep

通轴 K24 元件尺寸 Unit Dimensions Through Drives K24

法兰 SAE 127-2, (SAE C, 2 孔), 用于添加 A10VSO100 泵 (轴 S, 法兰 C)

Flange SAE 127-2, SAE C 2-hole for built-on A10VSO100 (shaft S, flange C)

订货型号 Order code K24



Size main pump	A ₁	A ₃	A ₄	A ₅
100	338	8	65	M16;20deep
140	350	9	77.3	M16;32deep

通轴 K17 元件尺寸 Unit Dimensions Through Drives K17

法兰 SAE 154-4, (SAE D, 4 孔), 用于添加 A10VSO140 泵 (轴 S, 法兰 D)

Flange SAE 154-4, SAE D 4-hole for built-on A10VSO140 (shaft S, flange D)

订货型号 Order code K17

